

## Index

097 Automatic
---------------

Torque converter assembly

- draining 32.3
- identifying 32.2

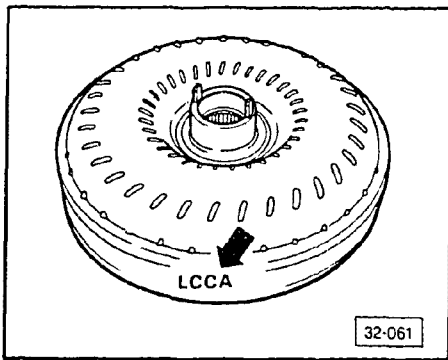
Torque converter oil seal

- removing/installing 32.2

## Torque converter, disassembling/ assembling

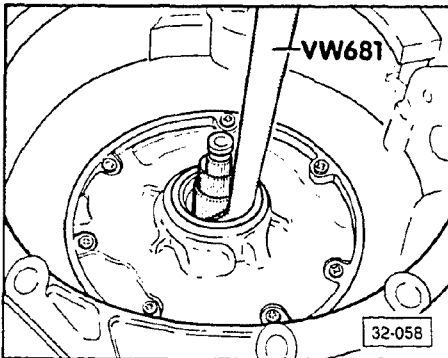
### Torque converter, identifying

- identify torque converter by code letters (arrow)
  - see Technical data, Repair Group 37, for vehicle applications



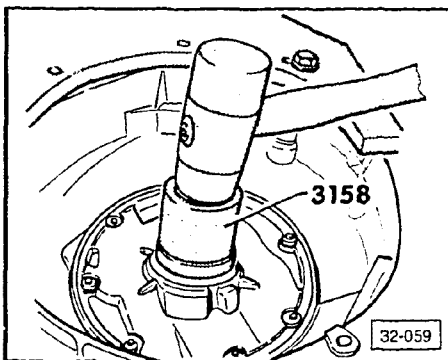
### Oil seal for torque converter, removing

- remove seal with extractor lever VW 681



### Oil seal for torque converter, installing

- drive seal in flush with 3158



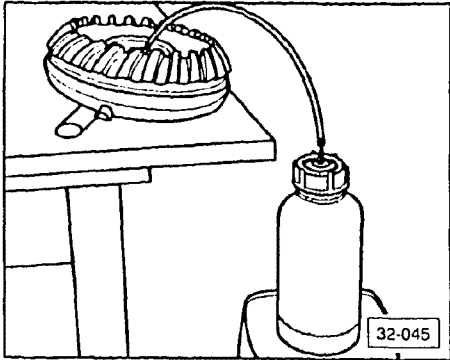
## Torque converter, draining

### Note

If ATF is contaminated, drain the torque converter.

Use fluid evacuator **EX1**, if available, and follow the manufacturer's instructions.

Otherwise, drain using the manual method:



- place converter in slanted position
- attach small inside diameter hose (with maximum outside diameter of 8 mm) to plastic bottle of about 2 liter capacity
- cut converter end of hose on an angle
- squeeze bottle and hold while inserting free end of hose into converter hub
  - make sure end of hose rests on bottom
- release bottle to allow ATF to flow
- loosen bottle cap when ATF begins to flow