

## Index

### Coupe

#### B-pillar trim

- assembly 66.4

#### Front license plate bracket

- installing 66.16

#### Mirror glass

- removing/installing 66.3

#### Outside mirror

- removing/installing 66.3

#### Protective moldings

- assembly 66.5
- removing/installing 66.7

#### Radiator grille

- removing/installing 66.2

#### Rear spoiler

- changing gas strut 66.15
- installing on replacement lid 66.12
- removing installing 66.12

#### Rocker panel moldings

- assembly 66.8

#### Roof trim molding

- assembly 66.9
- installing 66.11
- removing 66.10

#### Side window exterior molding

- removing/installing 66.11

#### Wheel house liner

- removing/installing 66.2

#### A-pillar trim

- assembly 66.20
- removing/installing 66.21

#### B-pillar trim

- assembly 66.22
- removing/installing 66.23

#### Door sill trim

- assembly 66.28

#### Front license plate trim

- assembly 66.29

#### Outside mirror

- installing 66.18
- removing 66.17

#### Outside mirror glass

- installing 66.19
- removing 66.18

#### Protective moldings

- assembly 66.26

#### Radiator grille

- removing/installing 66.17

#### Rocker panel moldings

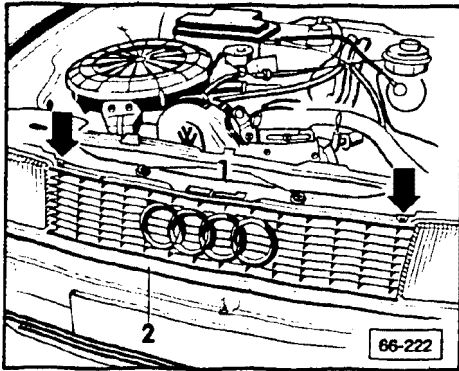
- assembly 66.27

#### Roof trim moldings

- assembly 66.24
- removing/installing 66.25

#### Wheel house liner

- removing/installing 66.17



## Radiator grille, removing/installing

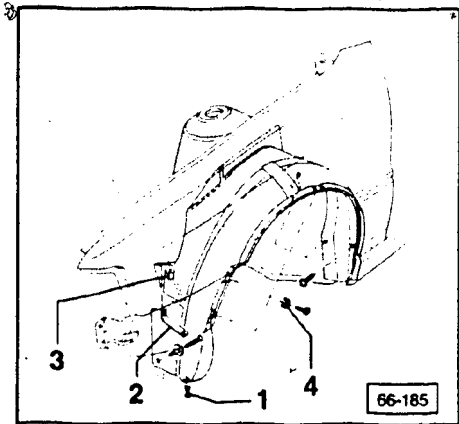
### Removing

- remove Phillips screws 1
- push down retaining clips (arrows) with screwdriver
- pull radiator grille up and away from front panel 2

### Installing

Install in reverse order of removal. Note the following:

- retaining tabs from radiator grille must fit behind front panel 2



## Wheel house liner, removing/installing

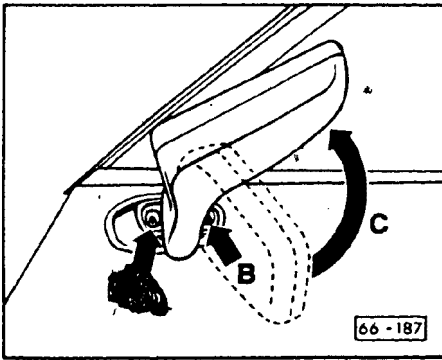
### Removing

- unclip corners of bumper from guides at side (see Repair Group 63)
- pry out expanding nut 1
- remove bracket 2 on one side
- remove plastic nut 3
- remove Phillips screws, note clip 4 on fender flange
- pull fender away slightly at bottom
- pull wheel housing liner over studs
- press wheel housing liner inwards and off fender flange
- remove wheel house liner

### Installing

- insert wheel housing lining towards A-pillar and press over fender flange
- reinstall all components in reverse order of removal

## Outside mirror, removing/installing



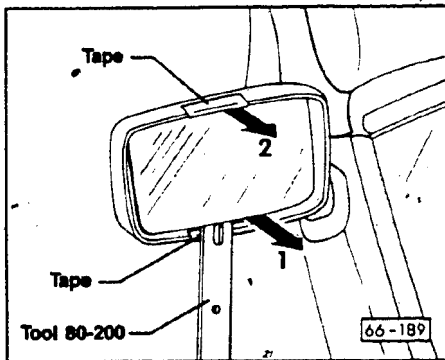
### Removing

- turn mirror (arrow C) to expose Phillips screws
- holding mirror, remove both screws (arrows A, B)
- disconnect electrical plug

### Installing

Install in reverse order of removal

## Outside mirror glass, removing/installing



### Removing

#### CAUTION

Wear protective gloves to prevent injury if glass breaks.

Hold glass to prevent falling out.

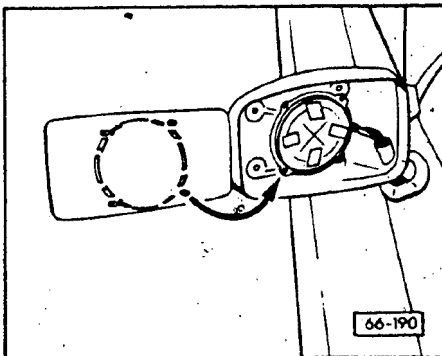
- tape upper/lower edge of mirror housing
- using tool 80-200, pry mirror glass off at bottom 1 and top 2
- hold mirror, unplug electrical connector

### Installing

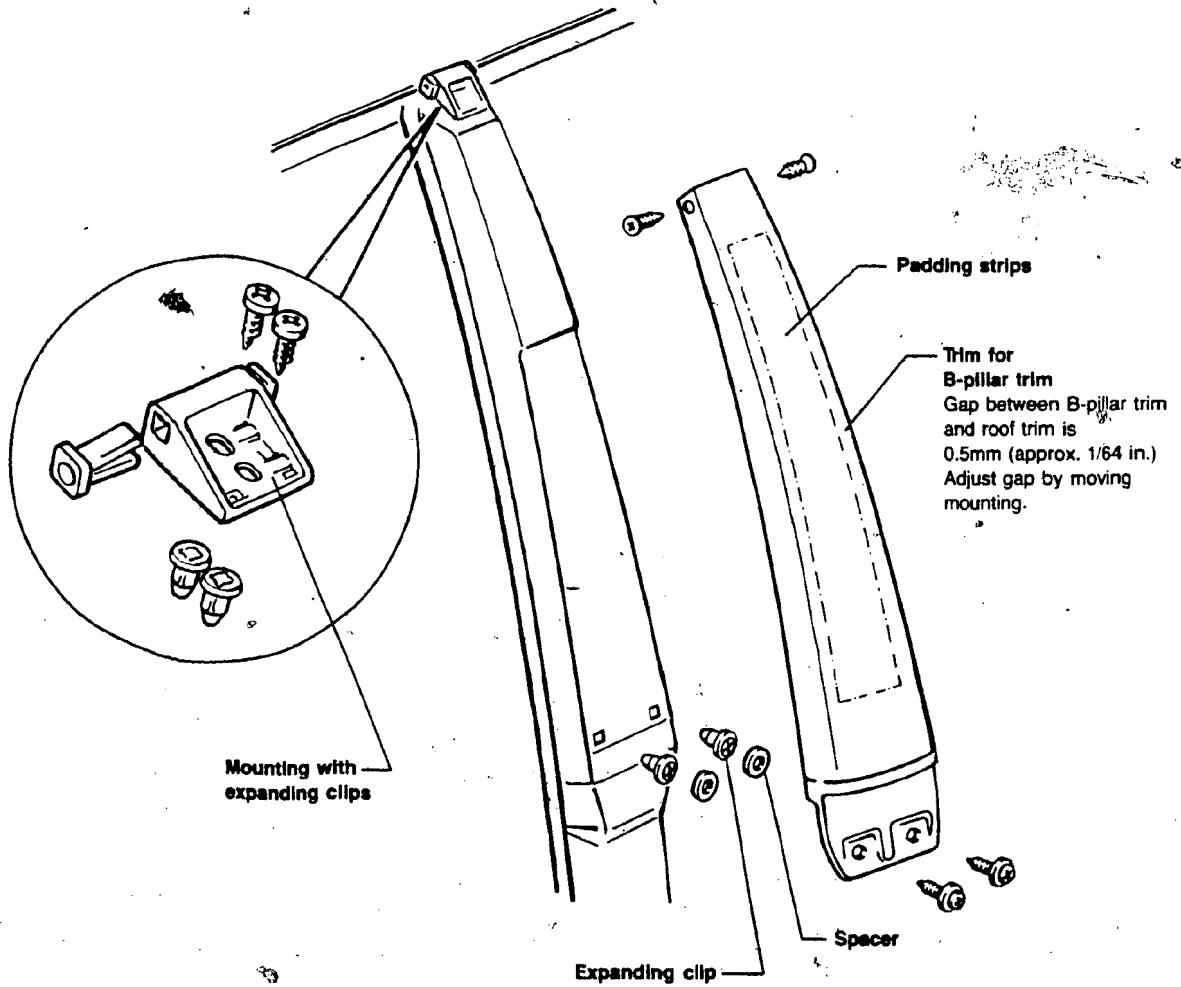
#### CAUTION

Apply pressure only at center of mirror glass.

- reconnect electric connector
- fit mirror onto guide pins (arrow)
- press into mirror housing
- check mirror for proper function



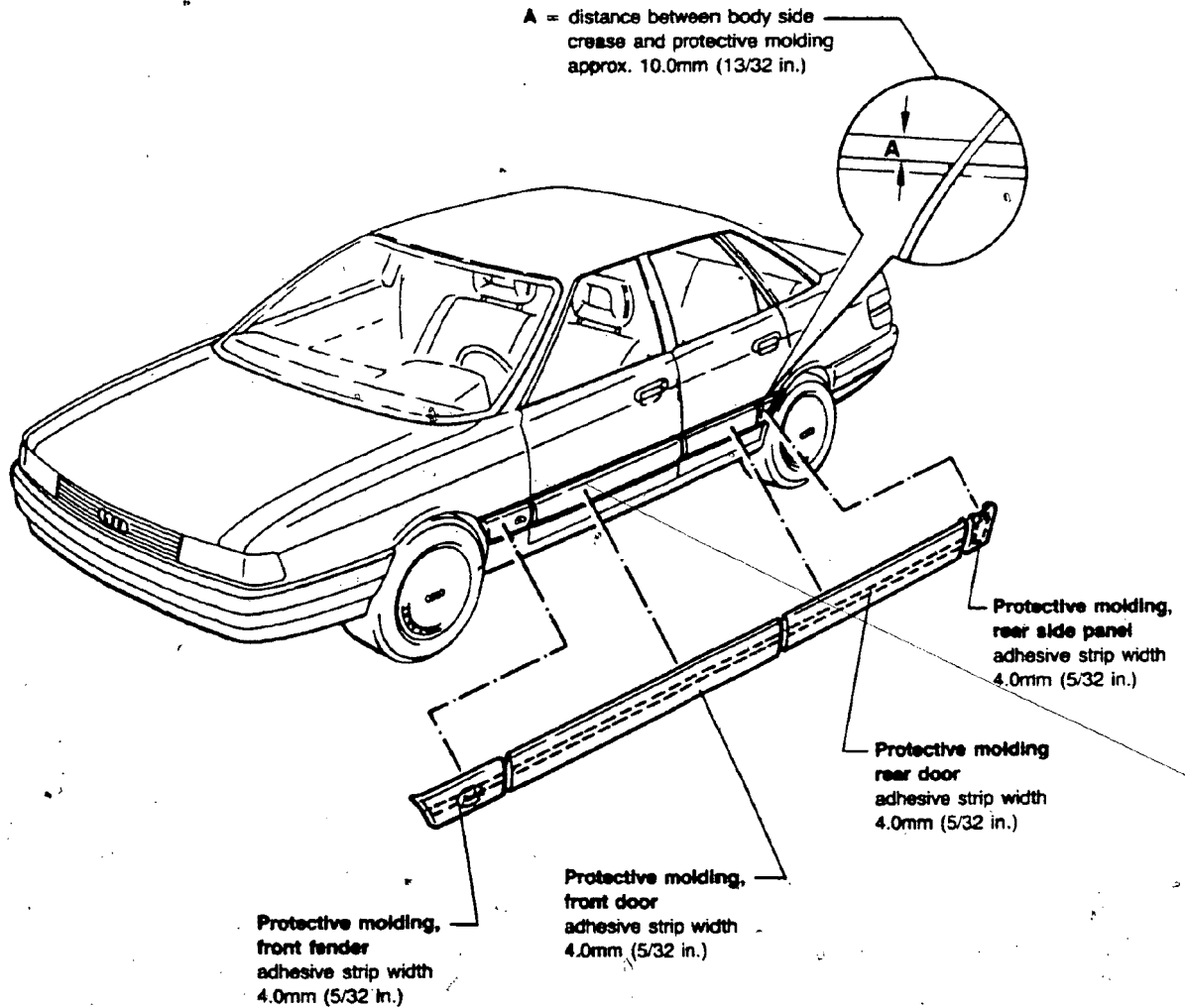
# Body Accessories – Exterior



66-213

E-4

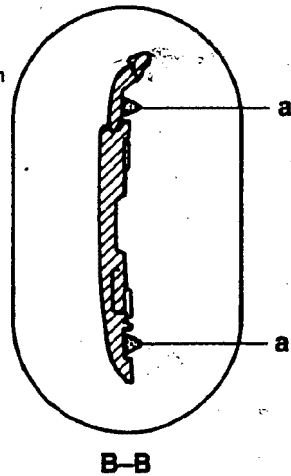
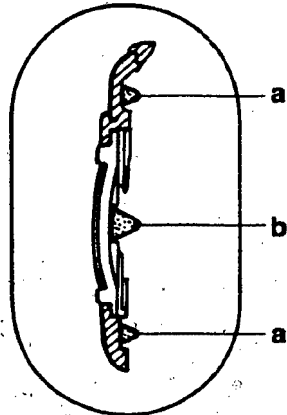
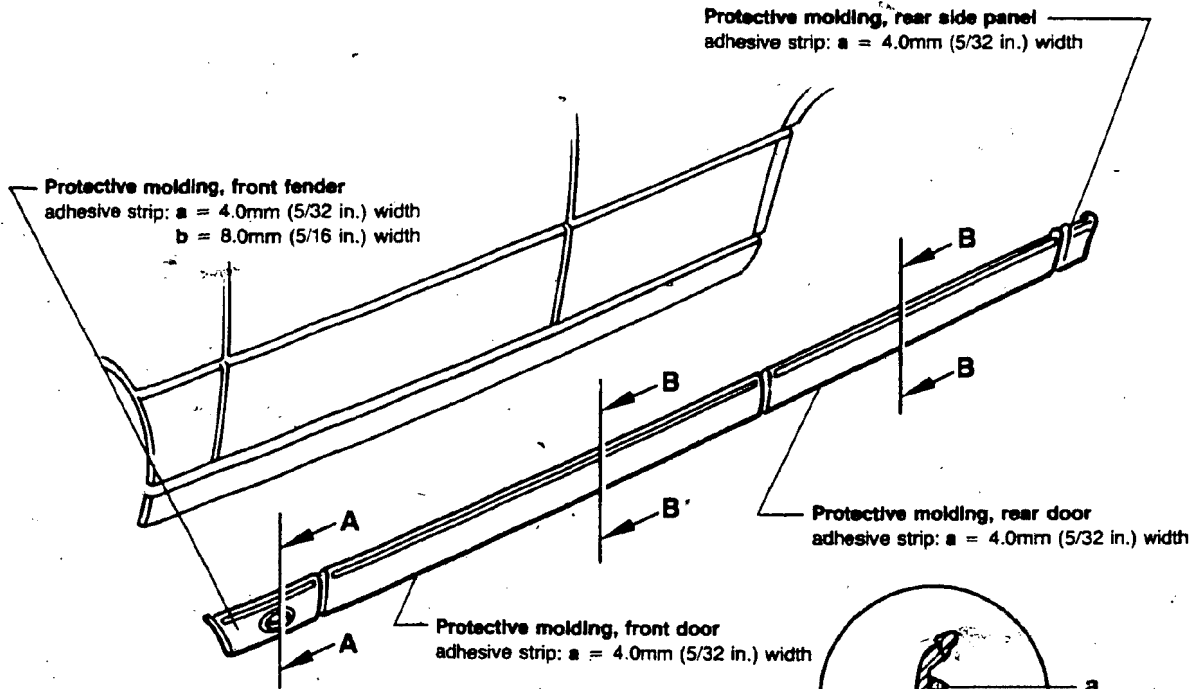
# Body Accessories – Exterior



66-212

E-5

# Body Accessories – Exterior



A = distance between body side crease and protective molding approx. 10.0mm (13/32 in.)

66-214

## WARNING

Follow all application and safety instructions on labels.

## CAUTION

Part numbers are for reference only. Always check with your Parts Department for latest parts information.

## Protective moldings, removing/installing

### Removing

Protective moldings cannot be removed without being damaged.

- heat molding with hot air gun
- carefully pry off old molding

### Installing

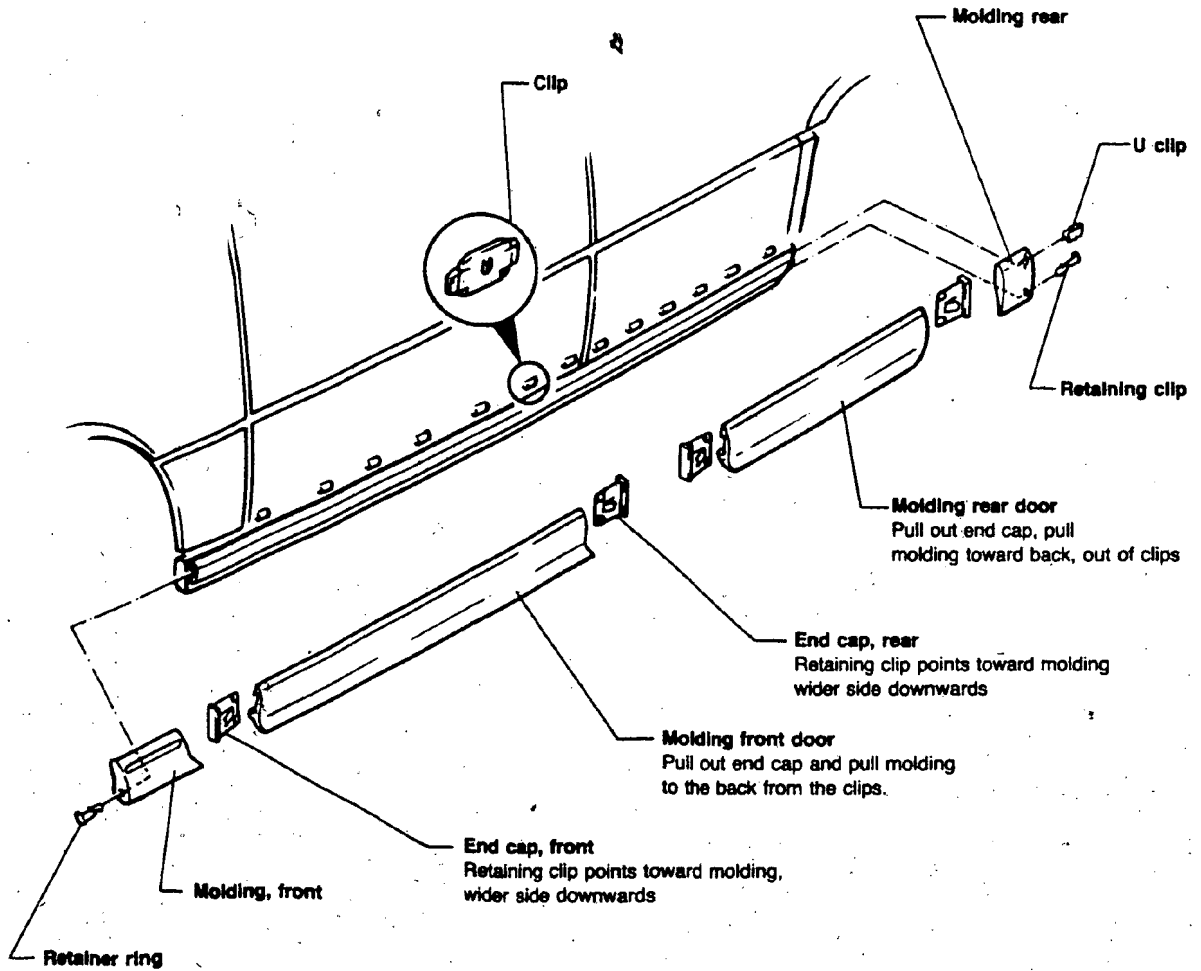
Installing molding on repainted sheet metal:

- clean adhesive areas on sheet metal with 3M® General Purpose Adhesive Cleaner or equivalent
- prime with primer from Adhesive kit **D 004 300 03** or equivalent, and allow primer to dry for 10 minutes

Installing moulding on plastic surface:

- clean adhesive areas with 3M® General Purpose Adhesive Cleaner or equivalent
- rub dry with lint free cloth
- prime area with primer from Adhesive kit **D 004 300 03** or equivalent, and allow to dry for 10 minutes
- cut back any remaining adhesive to depth of approximately 1.0mm (3/64 in.)
  - do not cut into paint or primer
- clean remaining adhesive with 3M® General Purpose Adhesive Cleaner or equivalent
- apply adhesive **D 009 100.03** or equivalent
- position molding
- press firmly to body
  - take special care at ends of moldings
- apply strips of fabric (cloth) tape to hold molding in position
- allow to dry 4 hours at 20°C (68°F)
- remove tape
- clean any residual adhesive from metal or plastic with dry cloth, followed by mineral spirits
  - allow residue on plastic to harden 2-3 hours before removing

# Body Accessories – Exterior



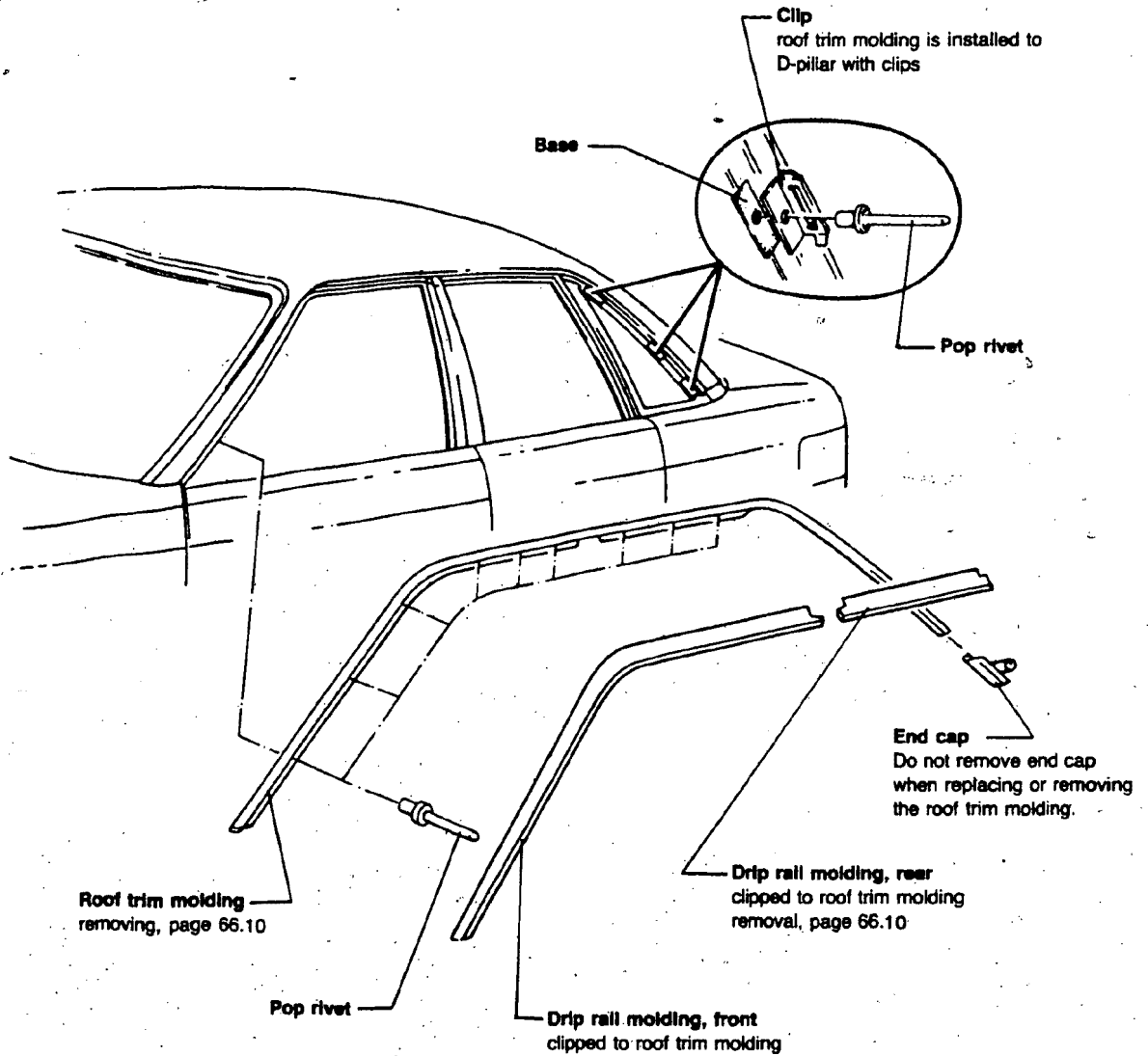
66-215



**THIS FRAME INTENTIONALLY LEFT**

**BLANK**

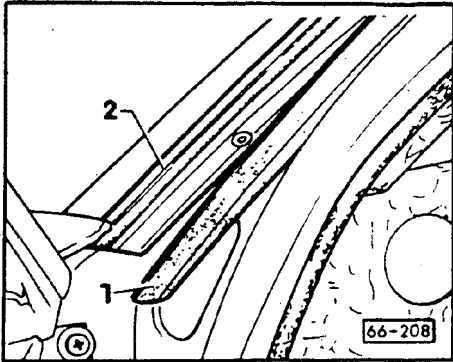
# Body Accessories – Exterior



66-207

E-10

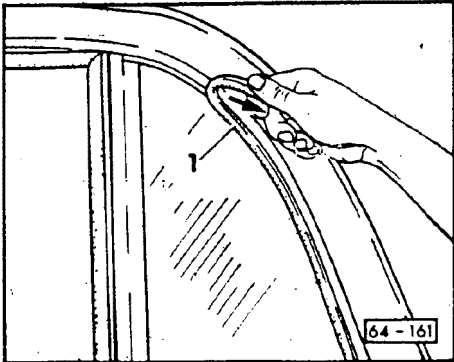
## Roof trim molding, removing



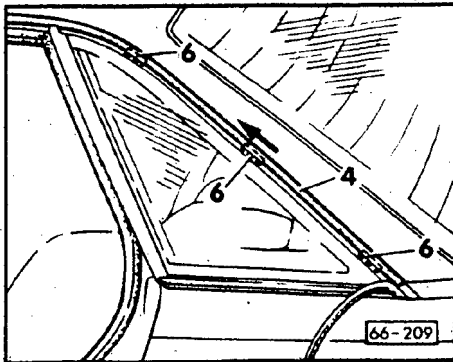
- remove trim for outer B-Pillar
- pry drip rail molding 1 front and rear out of roof trim molding 2 and pull out

### Note

Do not remove end cap when replacing or removing the roof trim molding.



- begin to pull out gap covering 1 on C-pillar here
- bore out rivet heads with 8.0mm (5/16 in.) diameter drill and push remaining rivet through to the inside



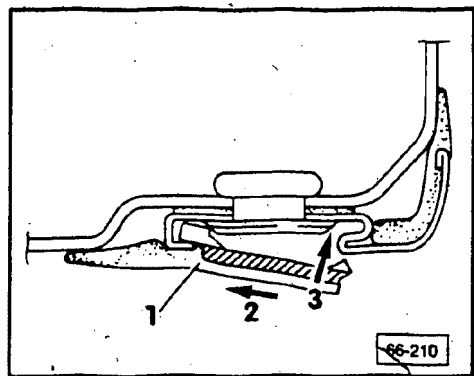
- pull roof trim molding 4 upwards along D-pillar approximately 30mm (1.1 in.), until the retaining straps of the roof trim molding are released from the clips 6

### Note

Paint damage may occur by the rivets turning when being drilled out.

The appearance and area of paint damage will determine the type of paint refinishing application: brush, spray can or spray gun.

## Roof trim molding, installing

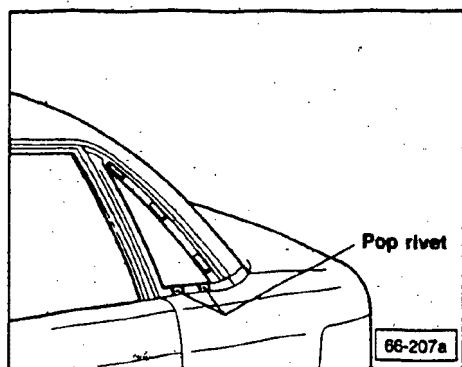


### Note

To avoid paint damage, guide the roof trim molding along D-pillar during installation with aid of a helper.

- install roof trim molding through end cap
- push roof trim molding along D-pillar under the retaining clips, until the perforation pattern on the roof frame matches the perforation pattern on the roof trim molding
- install pop rivet
- install drip rail molding 1 first in direction of arrow 2, then press in roof trim strip in direction of arrow 3

## Side window exterior molding, removing



- remove side window (see Repair Group 64)
- bore out rivet heads and push remaining rivet through to the inside

### Note

Paint damage may occur by the rivets turning when being drilled out.

The appearance and area of paint damage will determine the type of paint refinishing application: brush, spray can or spray gun.

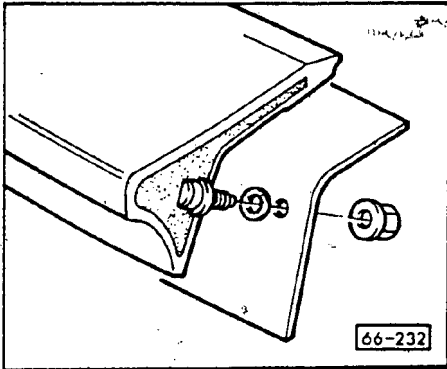
- heat molding with hot air gun
- carefully pull off molding from top
- clean adhesive areas on sheet metal with 3M® General Purpose Adhesive Cleaner or equivalent

## Side window molding, installing

- pull off paper from adhesive strip
- press molding to body sheet metal
- install pop rivet
- reinstall side window, trim and rear seat bench

## CAUTION

Use care not to damage paint finish.  
Prime damaged areas with anti-corrosion primer, and refinish as required.



## Rear spoiler, removing/installing

### Removing

- tape area immediately above spoiler
- open lid and remove nuts on back of spoiler
- gently pull spoiler away from lid at both sides
- insert knife between spoiler and lid
- separate spoiler from lid with knife
- remove any remaining adhesive from spoiler and lid with 3M® General Purpose Adhesive Cleaner or equivalent

### Installing

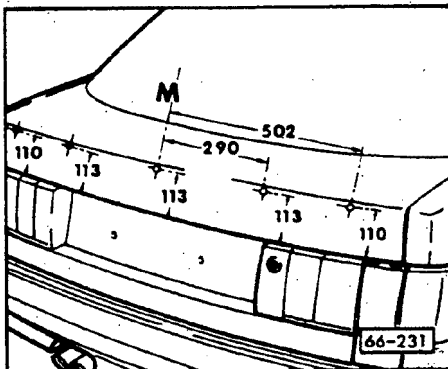
Install in reverse order, note the following:

- stick adhesive strip on spoiler
- remove paper backing from adhesive strip
- put spoiler on lid
- install and tighten spoiler nuts
  - side areas may be made to fit flush by warming spoiler corners with hot air blower, pressing tightly to lid

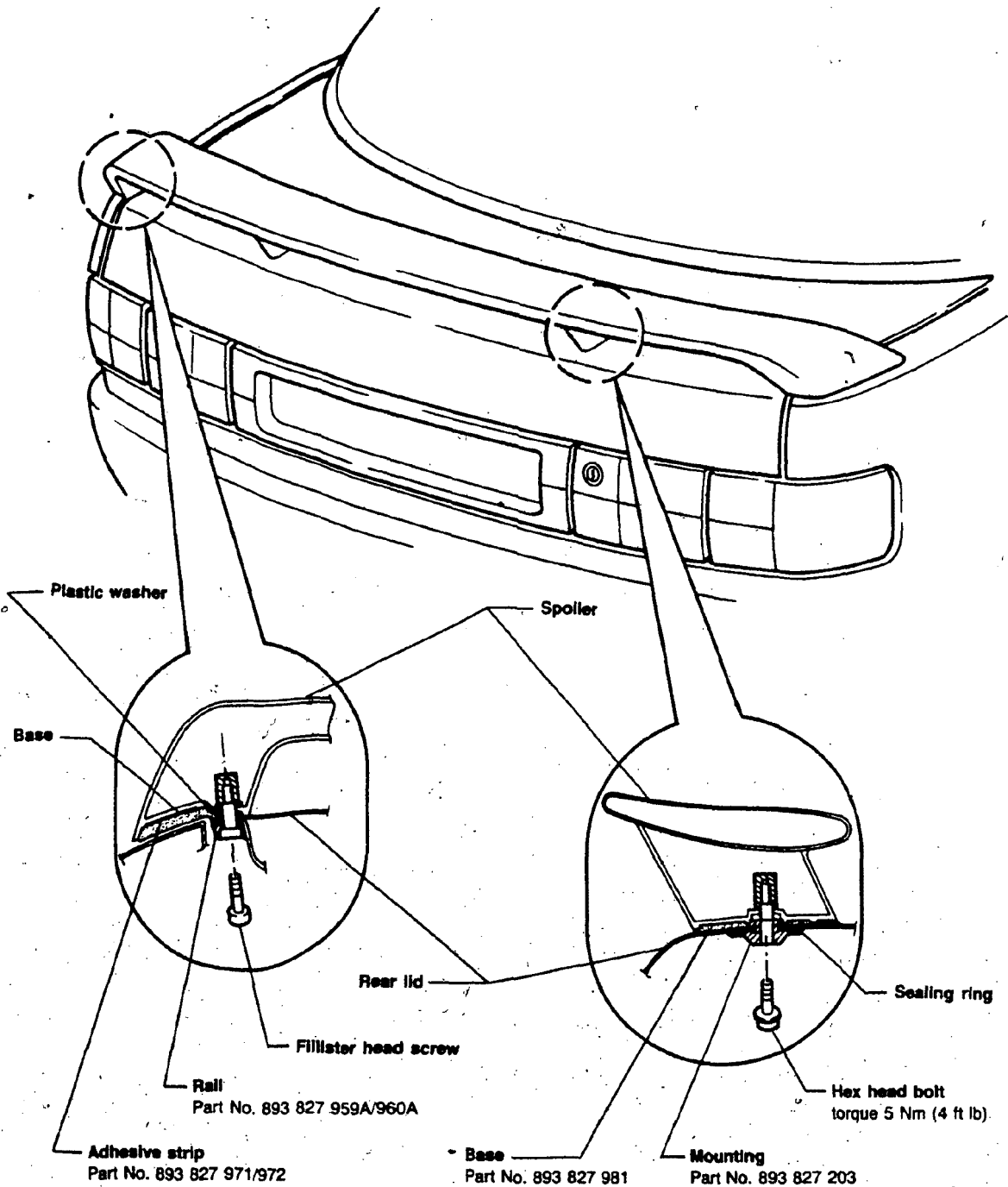
## Rear spoiler, installing on replacement rear lid

## CAUTION

Prime drilled holes with anti-corrosion primer and refinish as required.



- mark spoiler mounting hole positions on replacement lid (as shown)
  - M = middle of lid
  - all dimensions in mm,  $\pm 1.0$  mm tolerance
- center punch and drill small starter holes in lid
- drill 8 mm (5/16 in.) holes
- put spoiler on lid
- check fit, rework holes as required
- install spoiler nuts and tighten

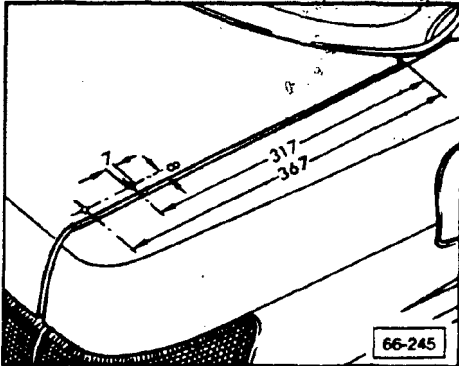


66-248

E-14

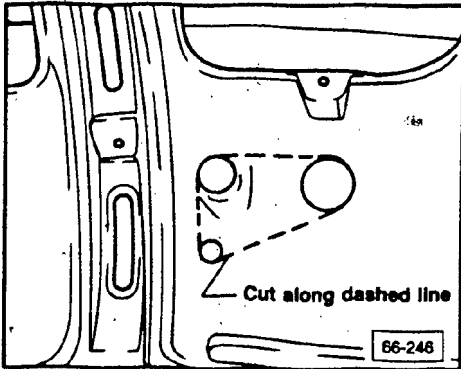
## CAUTION

Prime all drilled holes and cut sheet metal with anti-corrosion primer and refinish as required.



## Rear spoiler, installing on replacement lid

- mark spoiler mounting hole positions on replacement lid (as shown)
  - all dimensions in mm
- center punch and drill small starter holes in lid
- drill 7.0 mm holes
- put spoiler on lid
- check fit, rework and refinish holes as required,
- cover with adhesive strip in center bracket area
- put spoiler on lid, fasten down with outer bolts
- using soft pencil, copy outline of center brackets onto adhesive strip
- remove spoiler, place base 5 on outline drawn on adhesive strip
  - outer edges of base should just cover outline
- mark bolt holes
- drill small starter holes
- drill 7.0 mm holes
- check fit, rework holes as required
- drill and enlarge holes to  $15.0 \pm 0.5$  mm
- refinish holes as required



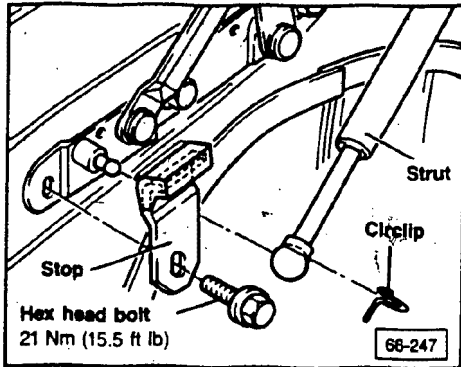
- using air saw, cut inner rear lid, as shown
- refinish edges as required

## Rear spoiler, aftermarket installation

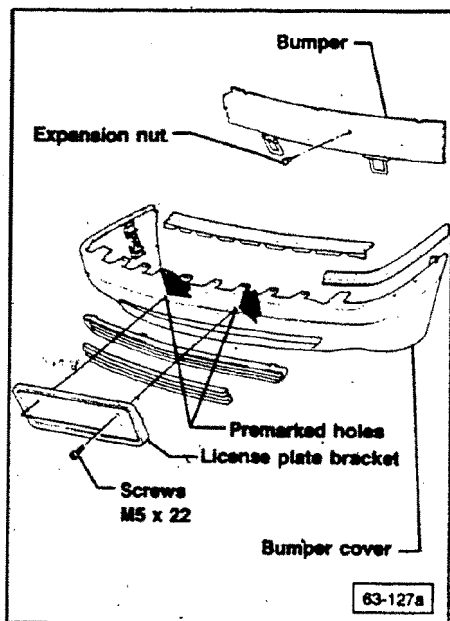
- installation procedures are identical, noting the following:
  - install stronger rear lid gas filled struts, Part No. 893 827 552A

## Rear lid gas filled strut, adjusting

- place stops in upper most position
- lightly tighten hex head bolts
- carefully push rear lid into lock
- open rear lid, tighten hex head bolts
  - 21 Nm (15.5 ft lb)







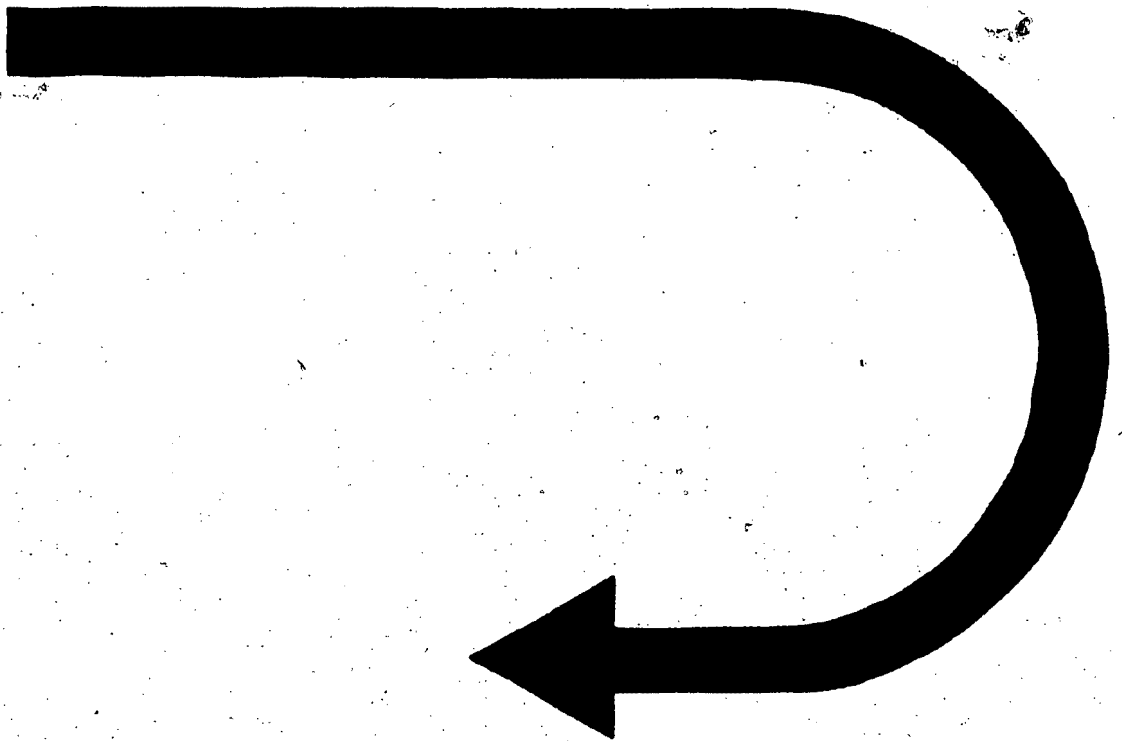
## ▶ Front license plate bracket, installing

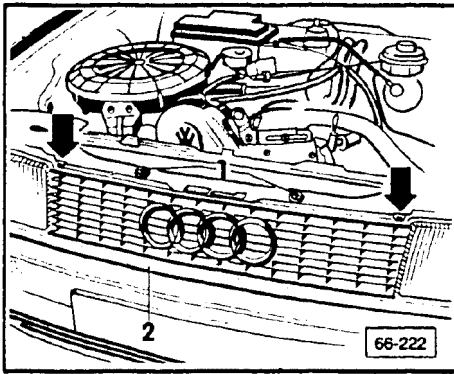
- drill two 8mm (9/16 in.) diameter holes in bumper cover (**arrows**)
- drill points are pre-marked
- mount license plate bracket with M5 x 22 screws Part No. N 014 155.1 or equivalent

### CAUTION

Part numbers are for reference only.  
Always check with your Parts  
Department for latest information.

**CONTINUED IN THE  
BEGINNING OF NEXT ROW**





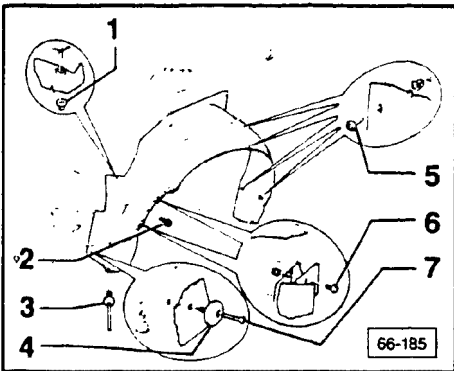
## Radiator grille, removing

- remove Phillips screws 1
- push down retaining clips (arrows) with screwdriver
- pull radiator grille up and away from front panel 2

## Radiator grille, installing

Install in reverse order of removal. Note the following:

- retaining tabs from radiator grille must fit behind front panel 2



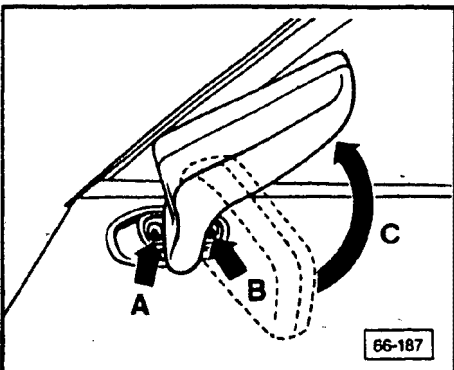
## Wheel house liner, removing

- unclip and remove expanding clips, screws and nuts

- 1 — plastic nut
- 2 — self tapping screw
  - removing:
    - remove screw/washer 6
    - pull fender away
- 3 — expanding clip
- 4 — clip
- 5 — self tapping screw
- 6 — screw/washer
  - 6 Nm (53 in lb)
- 7 — self tapping screw

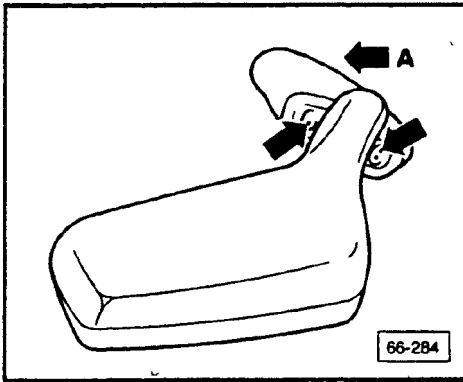
## Wheel house liner, installing

Reinstall all components in reverse order of removal.



## Outside mirror, removing

- turn mirror 90 (arrow C) to expose Phillips screws A, B
- holding mirror, remove both screws (arrows A, B)
- disconnect electrical plug at base of mirror



## Outside mirror, installing

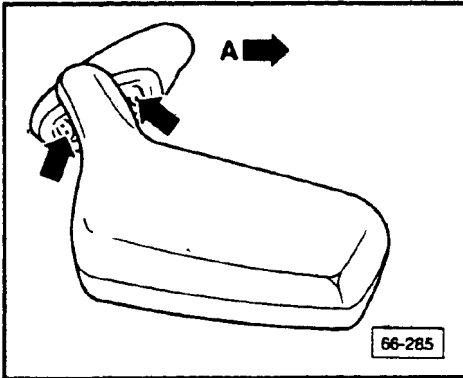
Reinstall mirror in reverse order of removal noting the following:

### Left side

- mount mirror (**arrows**) as shown
  - arrow **A** points to front of vehicle

### Note

**Do not** alter mounting position as this will change viewing angle.

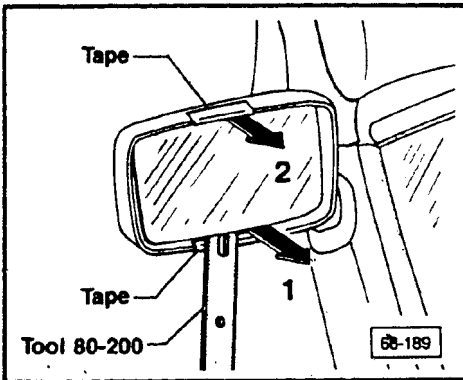


### Right side

- mount mirror (**arrows**) as shown
  - arrow **A** points to front of vehicle

### Note

**Do not** alter mounting position as this will change viewing angle.



## Outside mirror glass, removing

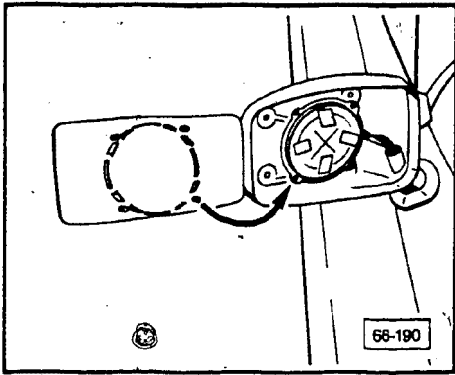
### CAUTION

Wear protective gloves to prevent injury if glass breaks.

Hold glass to prevent falling out.

- tape upper/lower edge of mirror housing to prevent damage
- using tool **80-200**, pry mirror<sup>®</sup> glass off at bottom **1** and top **2**
- hold mirror, unplug electrical connector

## Outside mirror glass, installing



### CAUTION

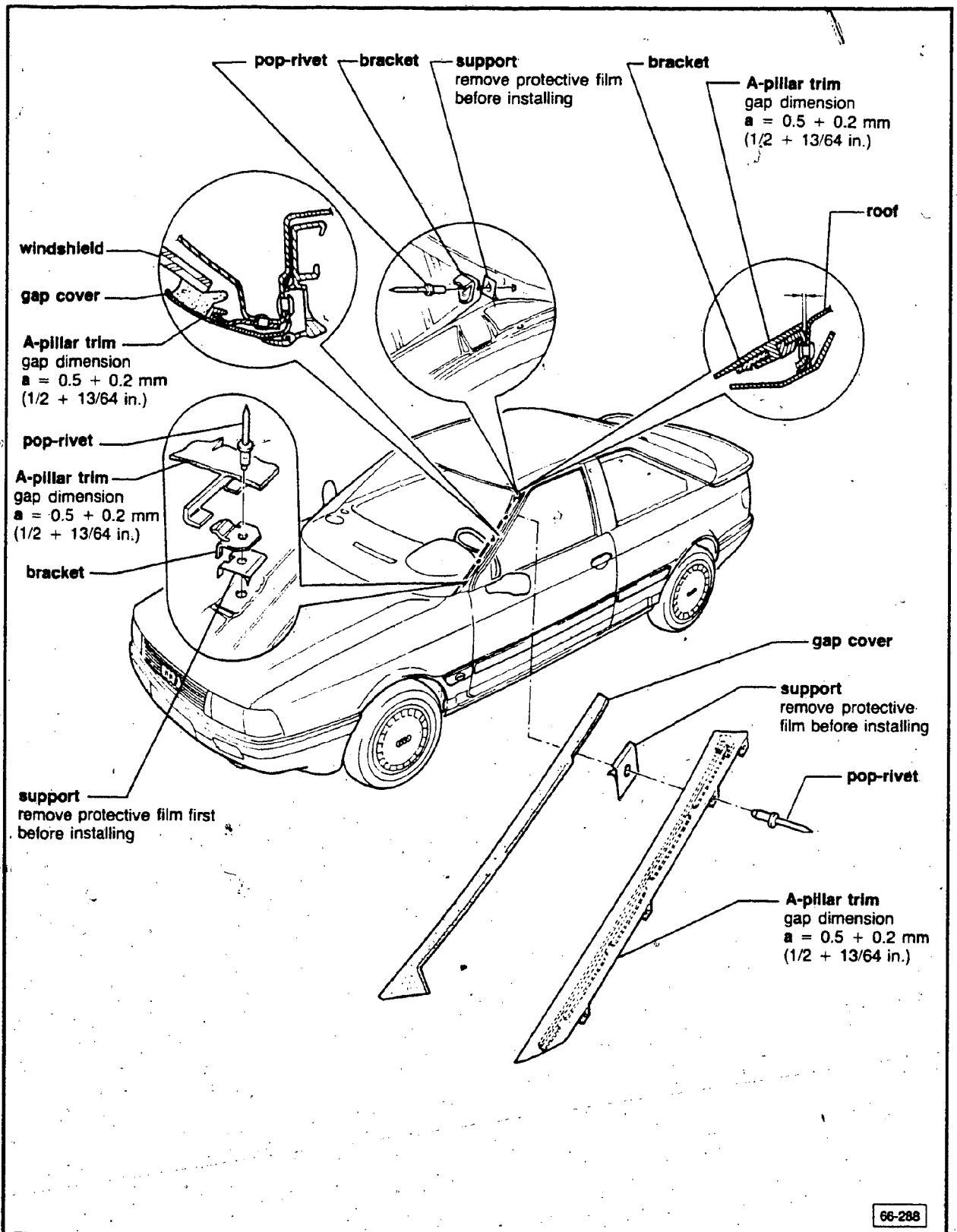
Apply pressure **only** at **center** of mirror glass.

- reconnect electric connector
- fit mirror onto guide pins (**arrow**)
- press into mirror housing
- check mirror for proper function

**THIS FRAME INTENTIONALLY LEFT**

**BLANK**

# Body Accessories – Exterior



F-6

Coupe

A-pillar trim, assembly

66.20

## A-pillar trim, removing

- remove door seal at area of A-pillar
- bore out rivet heads with 8.0 mm (5/16 in.) diameter drill and push remaining rivet through to the inside

### Note

Paint damage may occur by the rivet turning when being drilled out.

The appearance and area of paint damage will determine the type of paint refinishing application: brush, spray can or spray gun.

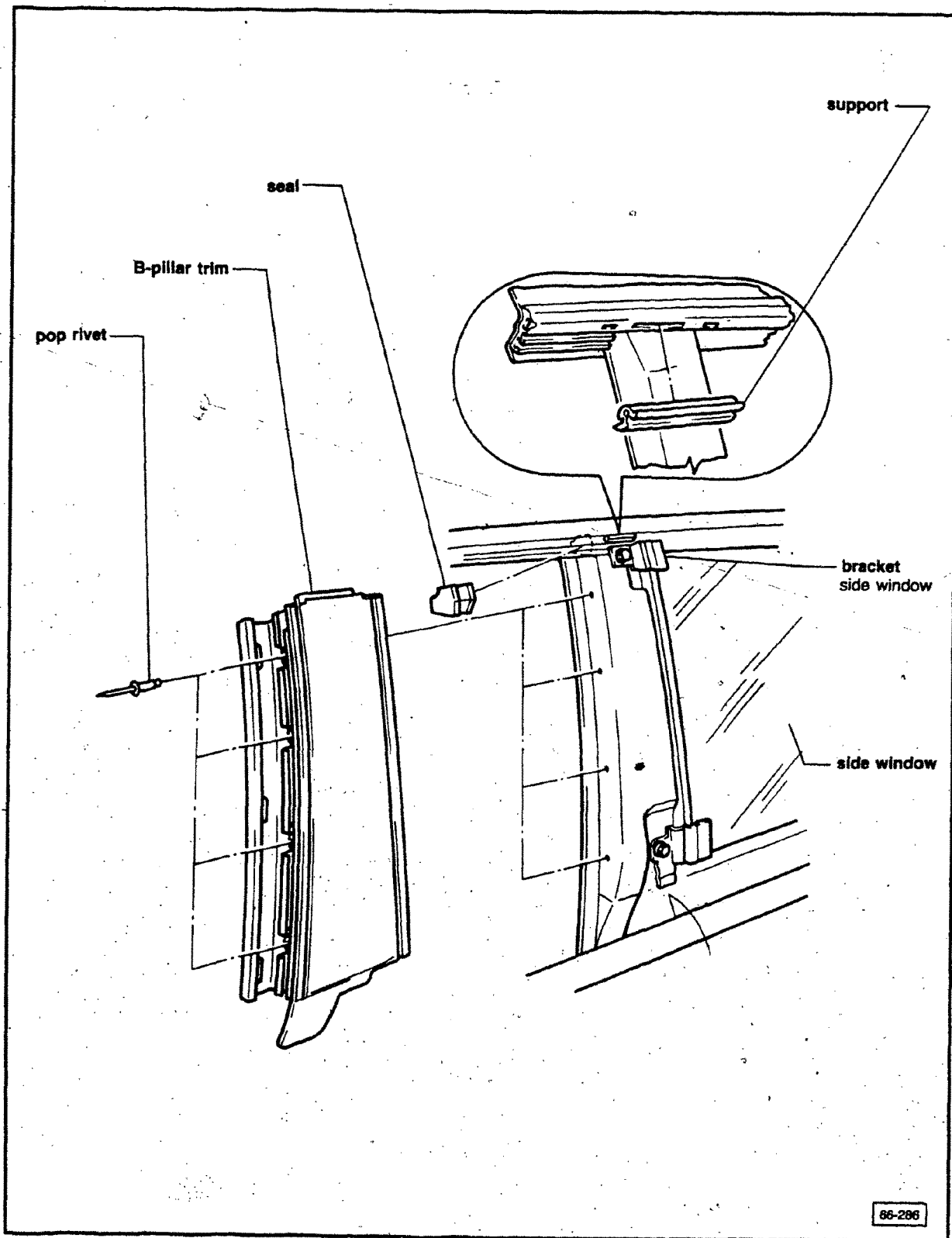
## A-pillar trim, installing

Install in reverse order of removal, noting the following:

- remove protective film from supports prior to installing
- set A-pillar gap dimension,  
 $a = 0.5 + 0.2 \text{ mm} (1/2 + 13/64 \text{ in.})$



# Body Accessories – Exterior



F-8

Coupe

B-pillar trim, assembly

66.22

## B-pillar trim, removing

- remove door seal at area of B-pillar
- bore out rivet heads with 8.0 mm (5/16 in.) diameter drill and push remaining rivet through to the inside

### Note

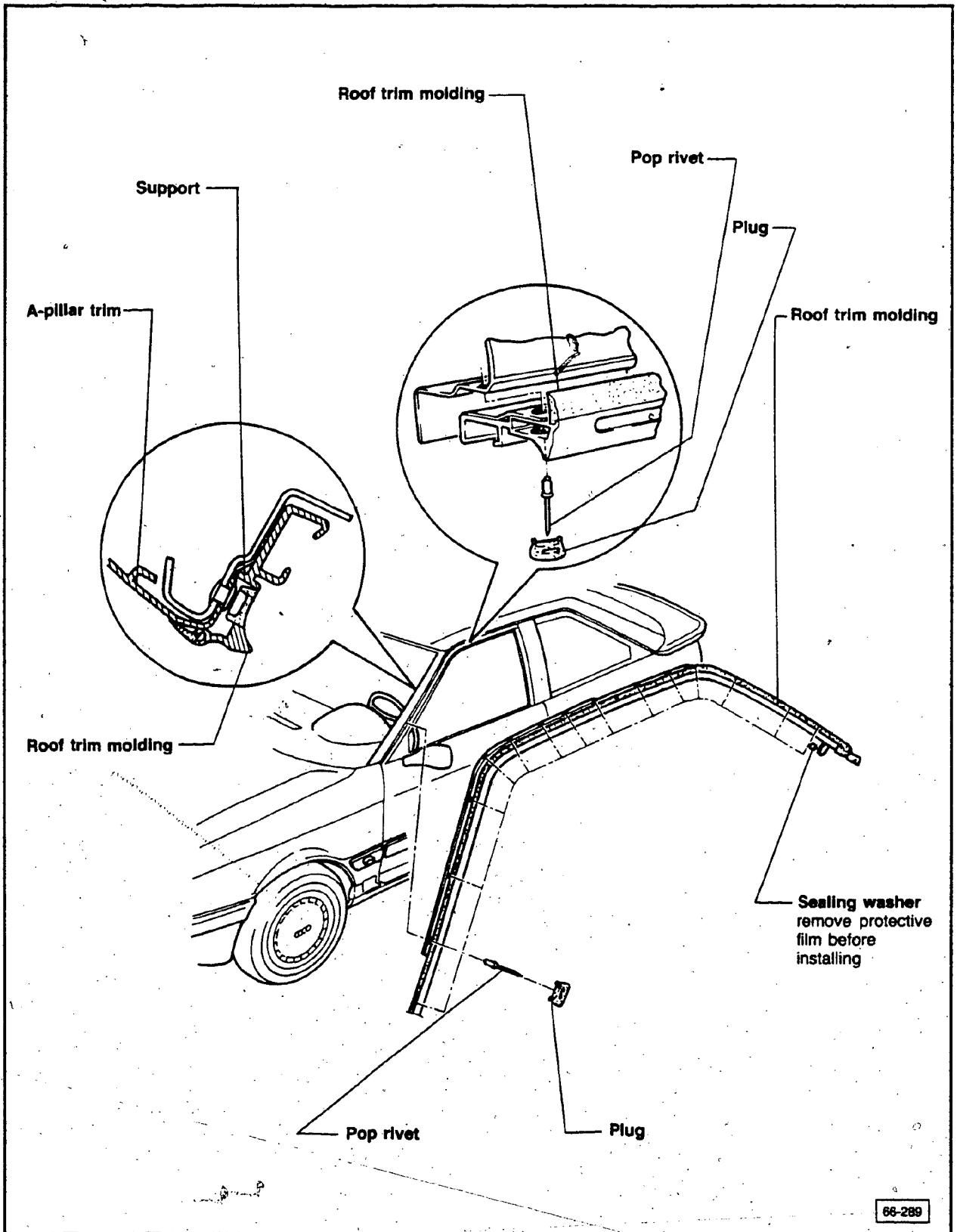
Paint damage may occur by the rivet turning when being drilled out.

The appearance and area of paint damage will determine the type of paint refinishing application: brush, spray can or spray gun.

## B-pillar trim, installing

Install all components in reverse order of removal

# Body Accessories – Exterior



66-289

F-10

Coupe

Roof trim molding, assembly

66.24

## Roof trim molding, removing

- remove door seal at door glass area
- remove B-pillar trim
- remove side window
- remove side window seal along roof
- bore out rivet heads with 8.0 mm (5/16 in.) diameter drill and push remaining rivet through to the inside

### Note

Paint damage may occur by the rivets turning when being drilled out.

The appearance and area of paint damage will determine the type of paint refinishing application: brush, spray can or spray gun.

## Roof trim molding, installing

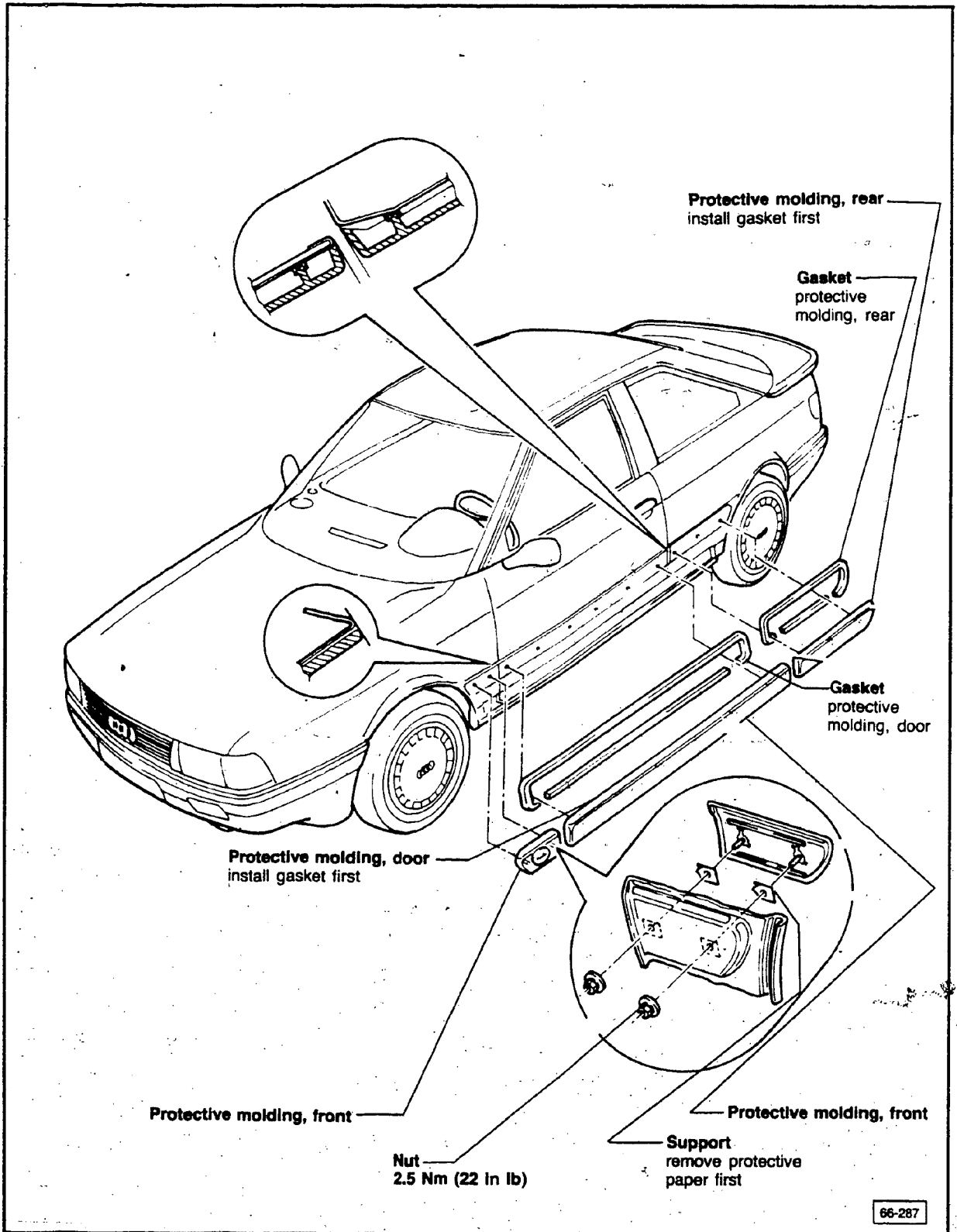
Install molding in reverse order of removal, noting the following:

### Note

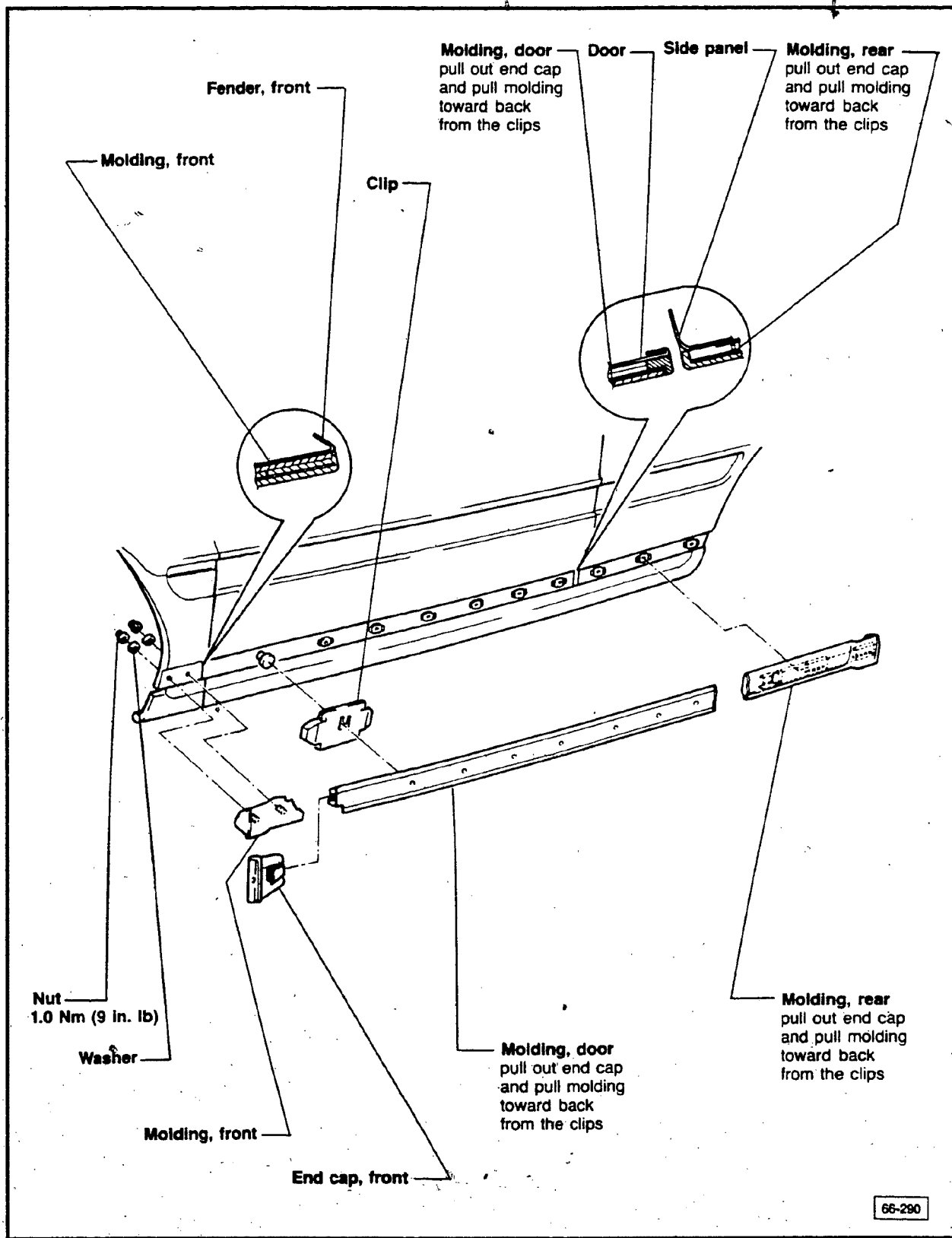
To avoid paint damage, guide the roof trim molding in place with aid of helper.

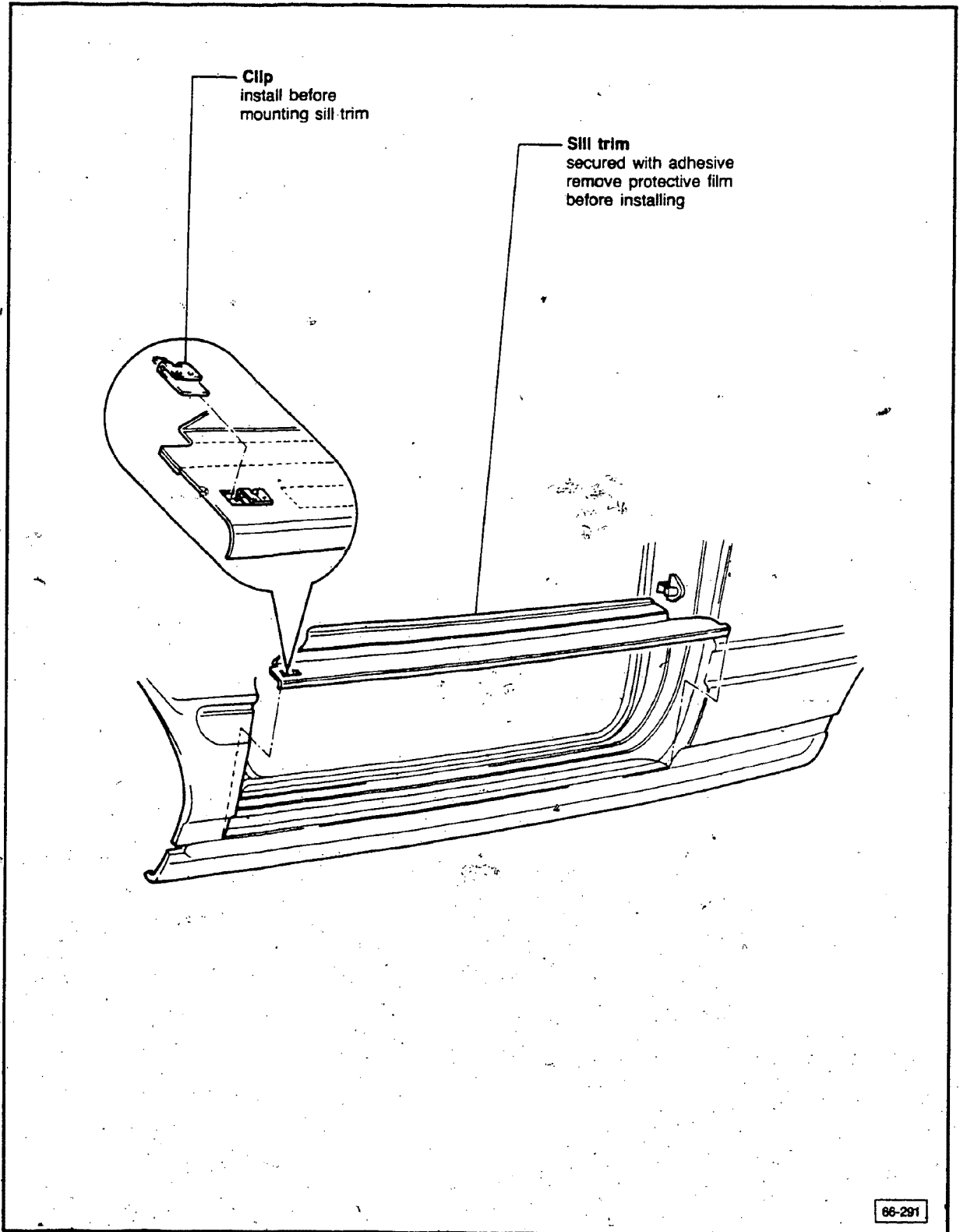
- remove protective film from support prior to installing

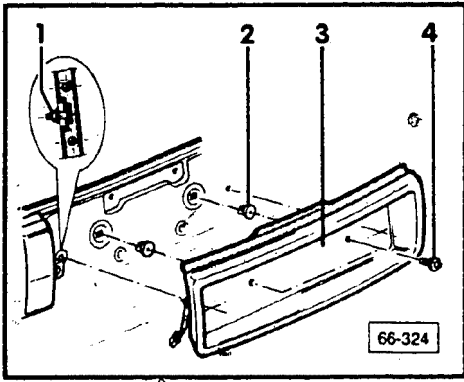
# Body Accessories – Exterior



# Body Accessories - Exterior







## ▶ Front license plate trim, assembly

- 1 = nut
  - 4 Nm (35 in lb)
- 2 = split rivet
- 3 = license plate trim
  - remove protective film before installing
- 4 = screw/washer
  - 4 Nm (35 in lb)
  - secures license plate