

Index

Rear wiper/washer (Coupe Quattro)

- assembly 92.7
- rear spray jet, adjusting/removing 92.9
- rear wiper arm, adjusting 92.9

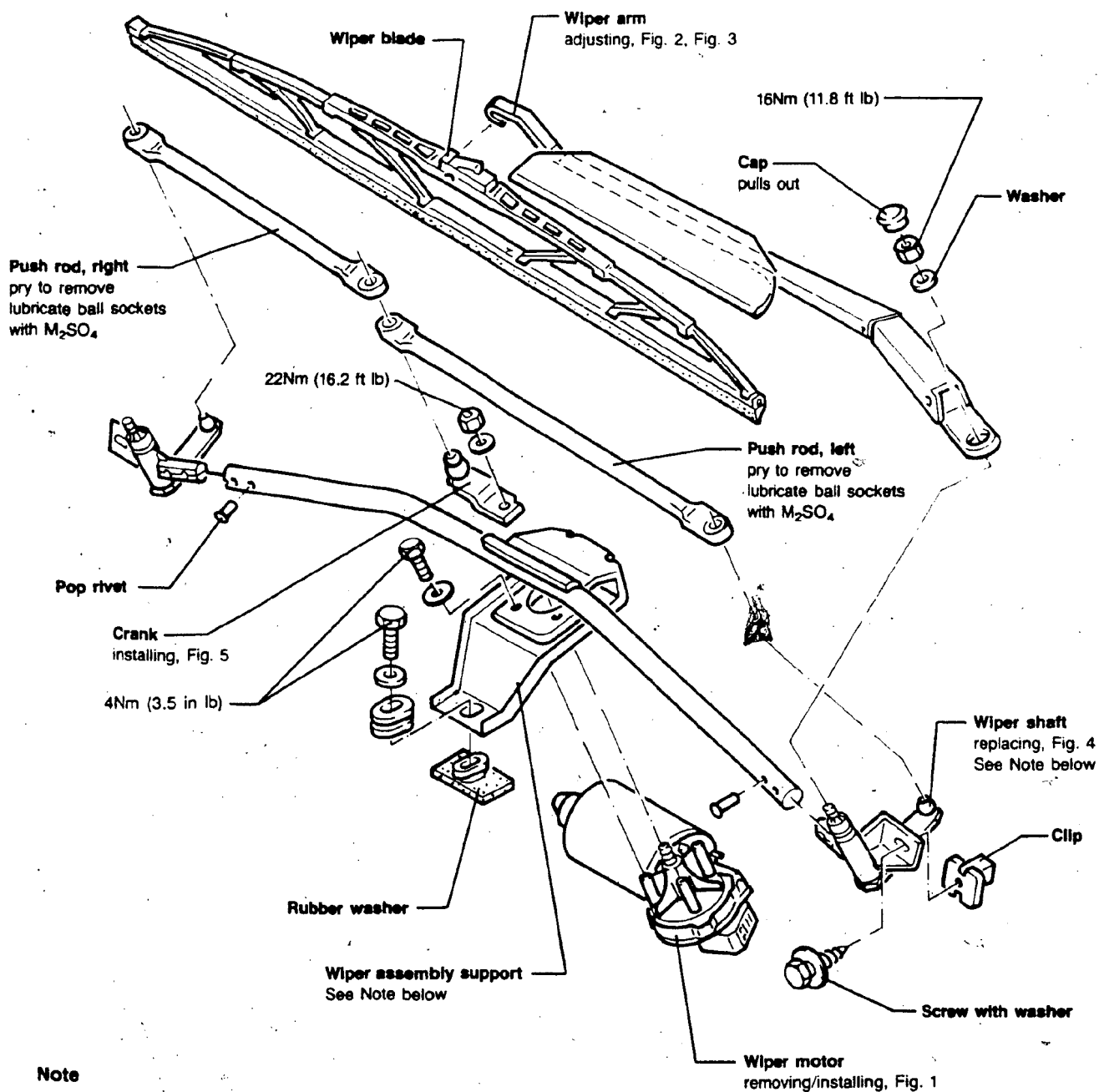
Windshield washers

- assembly 92.5
- spray jet, adjusting 92.6
- spray jet, removing/installing 92.6

Windshield wipers

- assembly 92.2
- crank, installing 92.4
- troubleshooting chart 92.11
- wiper arm, adjusting (Coupe Quattro) 92.4
- wiper arm, adjusting (80/90) 92.3
- wiper arm angle, adjusting 92.10
- wiper shaft, removing 92.4

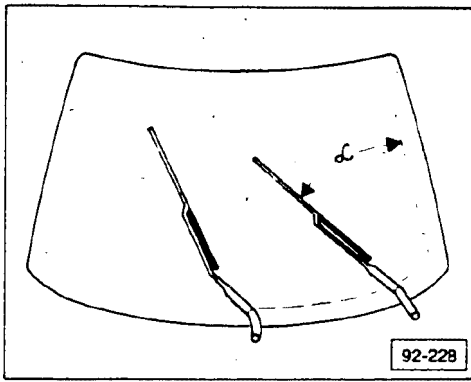
Electrical System – Windshield Wiper & Washer



Note

Some vehicles are equipped with wiper shafts that are pressed into the wiper assembly support. On these vehicles, the wiper shafts cannot be replaced individually, but must be replaced with the wiper support as a complete assembly.

92-226



► Fig. 1 Adjusting wiper arms for installation/
removal of wiper motor

Removing

- switch ignition **ON**
- run windshield wipers until left wiper arm is in position shown
 - $\alpha = 45^\circ$

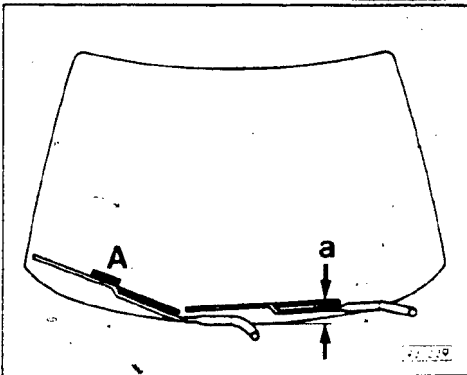
CAUTION

Windshield wipers must be in that position before motor and push rods can be removed.

- switch ignition **OFF**
- remove wiper arms
- remove wiper motor with push rods

Installing

- install motor with push rods
- switch ignition **ON**
- run windshield wiper motor until motor is in park position
- switch ignition **OFF**
- install wiper arms

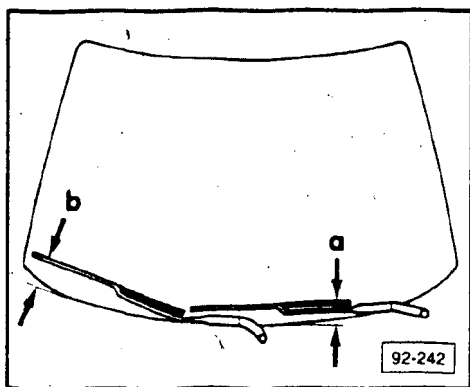


► Fig. 2 Wiper arm, adjusting (Audi 80/90)

Note

Windshield wiper motor must be in the park position before adjusting the wiper arms.

- install right wiper arm and adjust to position **A**
 - 16 Nm (11.8 ft lb)
- install left wiper arm and adjust to position **a**
 - $a = 60\text{mm}$ (2.4 in)
 - 16 Nm (11.8 ft lb)

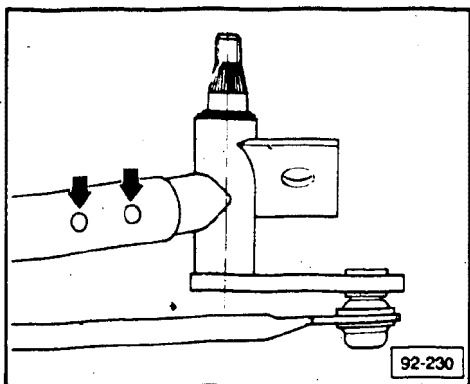


► Fig. 3 Wiper arm, adjusting (Audi Coupe Quattro)

Note

Windshield wiper motor must be in the park position before adjusting the wiper arms

- install right wiper arm and adjust to position **b**
 - **b** = 90mm (3.5 in)
 - 16 Nm (11.8 ft lb)
- install left wiper arm and adjust to position **a**
 - **a** = 65mm (2.6 in)
 - 16 Nm (11.8 ft lb)

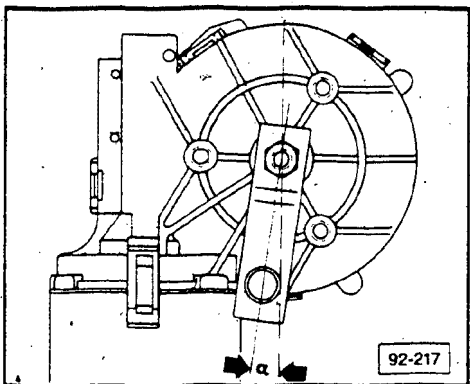


► Fig. 4 Wiper shaft, removing

Note

Wiper shaft cannot be repaired. Replace if defective. If wiper shaft is pressed into wiper assembly support, replace complete assembly.

- saw rivets off (**arrows**)
- remove wiper shaft
- install new wiper shaft
- pop rivet into place



► Fig. 5 Crank, installing

Note

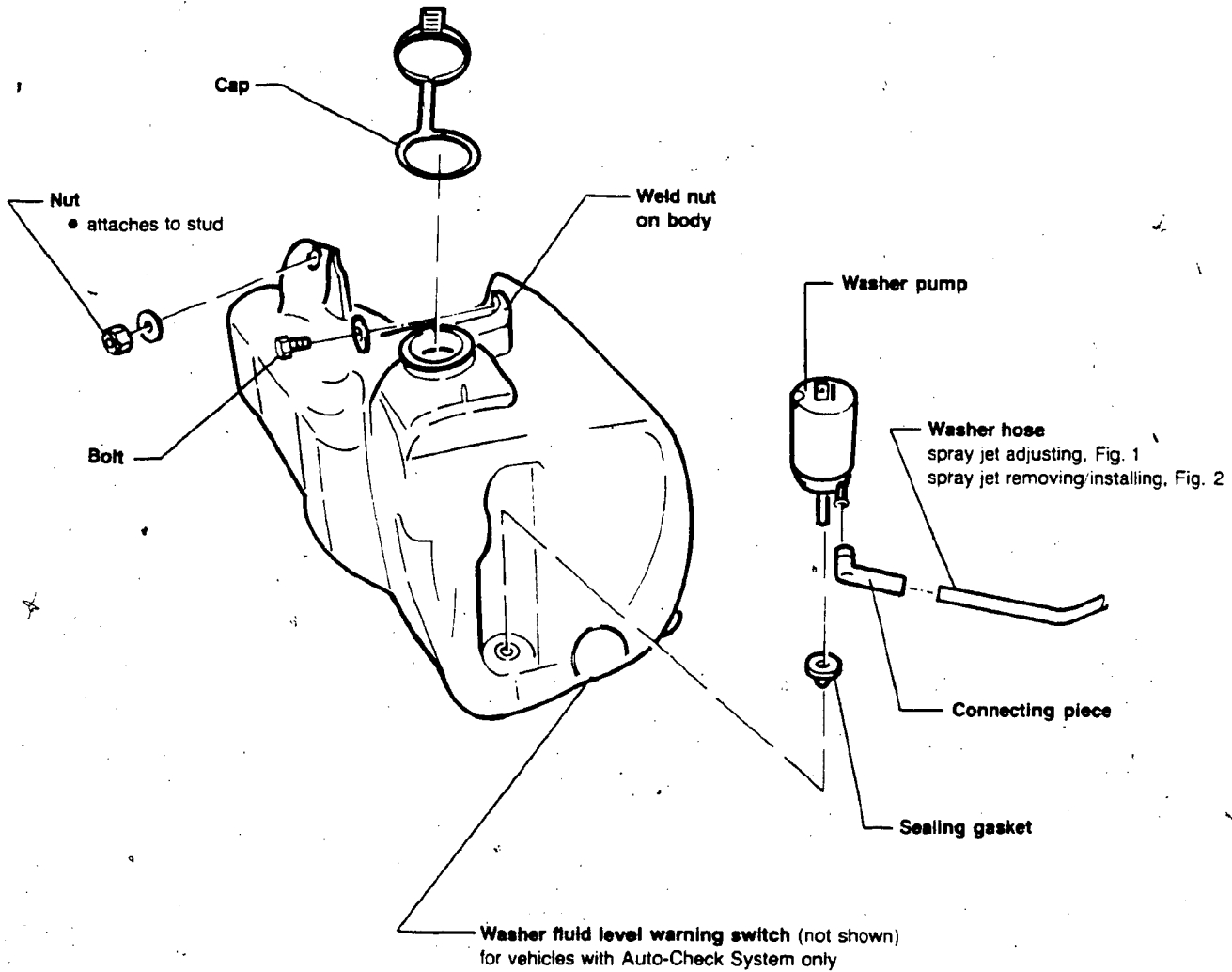
Windshield wiper motor must be in the park position before installing the crank.

a = approximately 6°

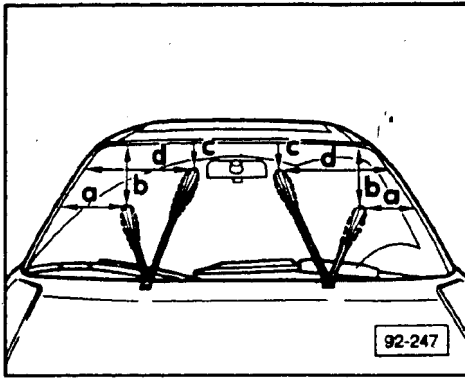
THIS FRAME INTENTIONALLY LEFT

BLANK

Electrical System – Windshield Wiper & Washer



92-227



► Fig. 1 Spray jets, adjusting

- adjust spray jets using tool 3125

CAUTION

DO NOT adjust spray jets using a needle, pin or similar object or damage to the spray jets will result.

- a = 200 mm (7.9 in.)
- b = 450 mm (17.7 in.)
- c = 220 mm (8.7 in.)
- d = 480 mm (18.9 in.)

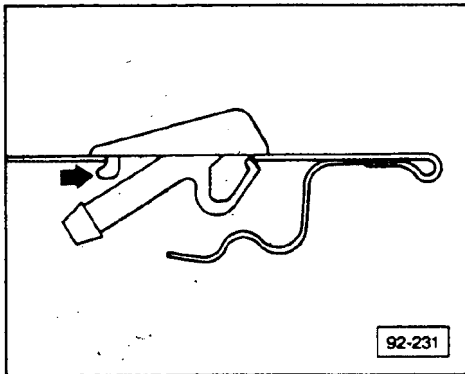
adjusting tolerance ± 20 mm (0.8 in.)

Note

Adjust heated spray jets the same way and to the same specifications.

If water spray is uneven or cannot be adjusted to specifications,

- replace spray jet



► Fig. 2 Spray jet, removing/installing

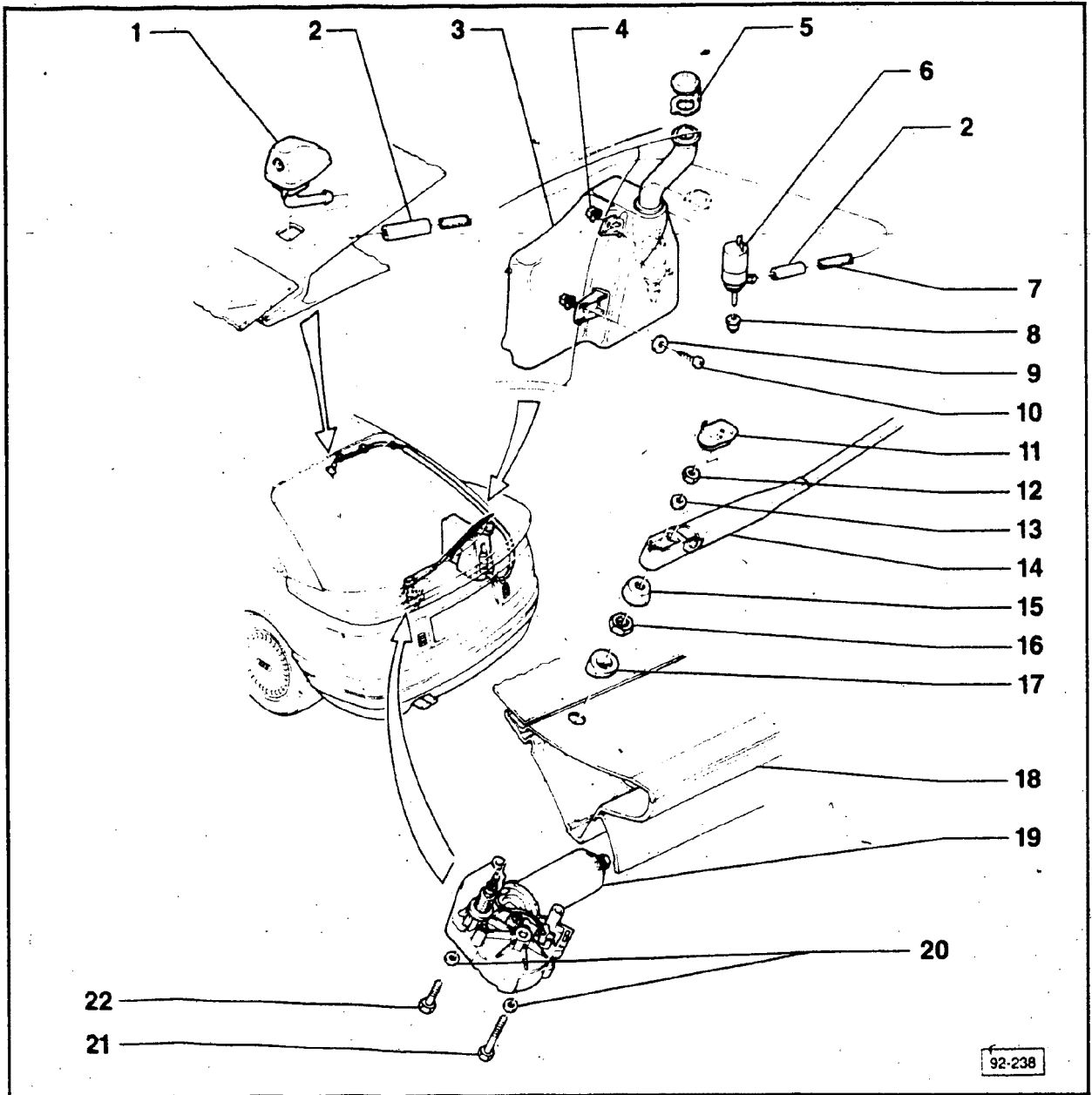
Removing

- press spray jet at arrow in direction indicated
- lift jet up and out through top

Installing

- install spray jet from top
- slide nose (arrow) in first and push down firmly until clip engages

Electrical System – Windshield Wipers & Washers



- 1 — Spray jet
adjusting, Fig. 1
removing, Fig. 2
- 2 — Connecting hose
- 3 — Washer bottle
twist filler neck inward to fill.
- 4 — Nut
- 5 — Washer bottle cap

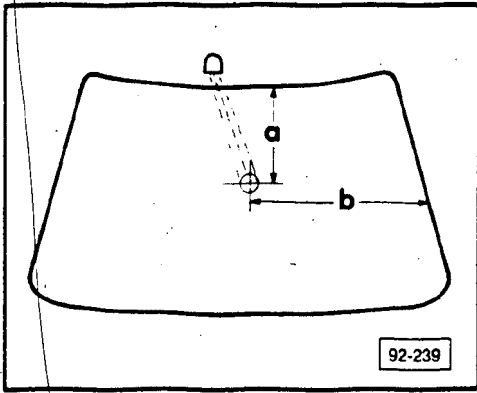
- 6 — Washer pump
remove by carefully pulling
upwards
install by guiding washer pump
intake tube into washer bottle
grommet, push down pump until
fully seated
- 7 — Washer hose
- 8 — Sealing grommet
always replace
- 9 — Washer

- 10 — Screw
- 11 — Cap
pry off with small screwdriver
- 12 — Nut
16 Nm (11.8 ft lb)
- 13 — Spring washer
- 14 — Wiper arm
adjusting, Fig. 3
- 15 — Cap
- 16 — Nut
8 Nm (5.9 ft lb)

92-238

Electrical System – Windshield Wipers & Washers

- 17 — **Spacer ring**
position tab to match notch on
wiper motor shaft
- 18 — **Rear hatch**
- 19 — **Wiper motor**
run motor to park position
before installing
- 20 — **Spring washer**
- 21 — **Bolt M6 x 52 mm**
8 Nm (5.9 ft lb)
- 22 — **Bolt M6 x 32 mm**
8 Nm (5.9 ft lb)



► Fig. 1 Rear spray jet, adjusting

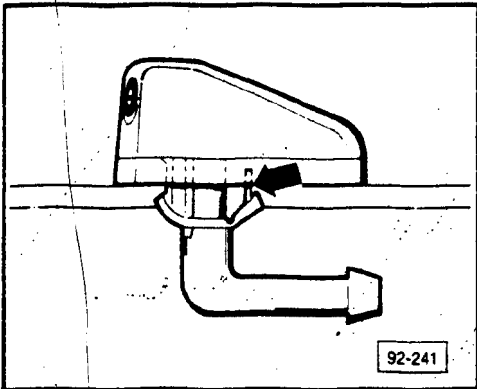
CAUTION

Do not use a needle to adjust spray jet.

Use 0.8 mm mandrel for adjustments

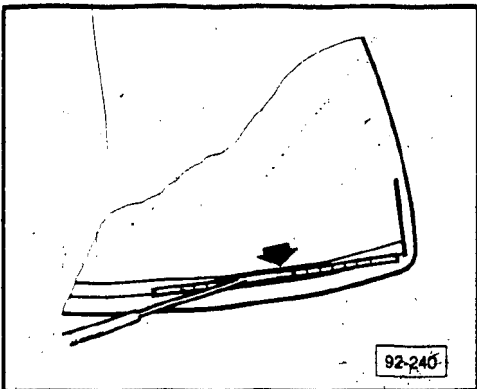
a = 300 mm (11.8 in)

b = 550 mm (21.6 in)



► Fig. 2 Rear spray jet, removing

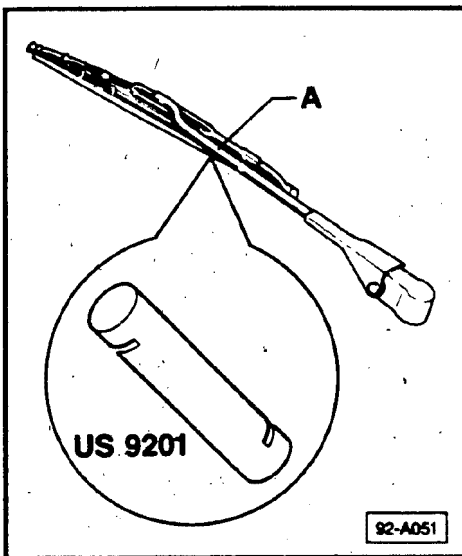
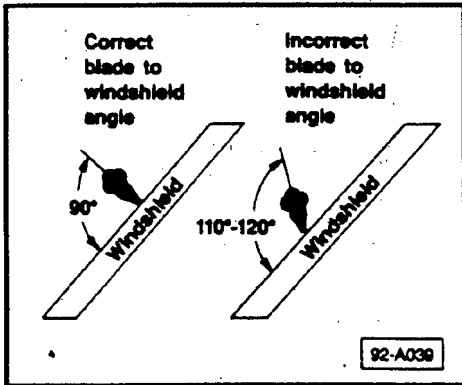
- push retaining clip (arrow) in direction indicated
- pull jet up and out through top



► Fig. 3 Rear wiper arm, adjusting

- adjust wiper arm so that center of wiper blade (arrow) lies at bottom of second defroster filament

Wiper arm angle, adjusting



Windshield wiper blade chatter and skipping of blade across windshield can be caused by incorrect wiper arm angle.

The incorrect wiper arm angle will not allow the wiper blade to flip and follow the wiper arm.

It is most noticeable on the downward stroke of the wiper.

To adjust wiper arm angle,

- insert slot of wiper arm adjusting tool **US 9201** over wiper arm
- bend wiper arm at **A** to obtain correct wiper arm angle

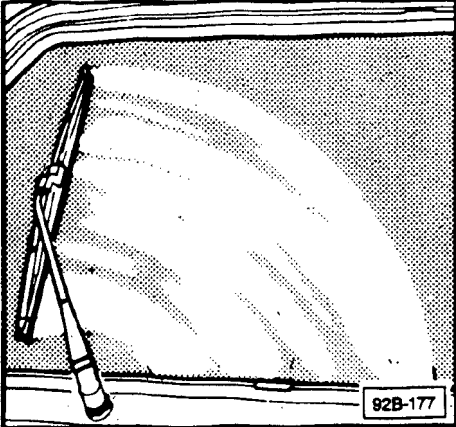
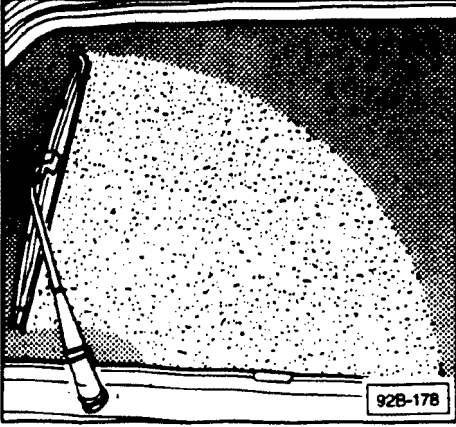
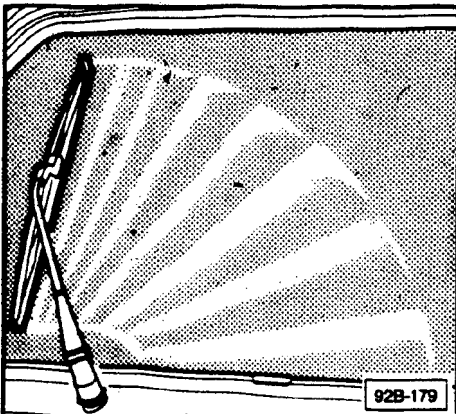
Note

Wiper arm must be bent at location **A**. Bending the wiper arm in the wrong location will not provide a lasting repair.

Wax and dirt build-up on windshield wiper blades can cause streaking and smearing on windshield when using wipers.

- **do not replace** windshield wiper blades that may only need to be cleaned
- clean wax and dirt build-up from wiper blades and entire windshield with alcohol based cleaning solution or rubbing alcohol and water
- see troubleshooting chart on next page
- refer customer to instructions in Owner's Manual

Windshield wiper troubleshooting

Symptoms	Possible causes	Solutions
<p>Bad wiping (sheeting)</p>  <p style="text-align: right;">92B-177</p>	<ul style="list-style-type: none"> ● dirty blade lip ● blade lip worn, torn or broken ● old blade lip 	<ul style="list-style-type: none"> — clean blade lip with wet cloth and soap, alcohol based cleaning solution, or rubbing alcohol and water — rinse with water — replace blades — replace blades
<p>Some water remains in the wiping area, forming droplets</p>  <p style="text-align: right;">92B-178</p>	<ul style="list-style-type: none"> ● windshield glass contaminated by pollutants, oil or film from diesel engine exhaust 	<ul style="list-style-type: none"> — clean windshield glass with clean cloth soaked in solution of alcohol (or ammonia) and warm water
<p>Windshield wiper blades clean to one side and are deficient to the other (chatter)</p>  <p style="text-align: right;">92B-179</p>	<ul style="list-style-type: none"> ● blade lips are deformed or filled with dirt or foreign matter on one side ● windshield wiper arms are twisted. Rubber lips do not touch glass properly ● glass is dirty or not wet enough, resulting in varying friction between blade and glass 	<ul style="list-style-type: none"> — replace blades — bend wiper arm to obtain proper blade contact — clean the glass with clean cloth soaked in solution of alcohol (or ammonia) and warm water