
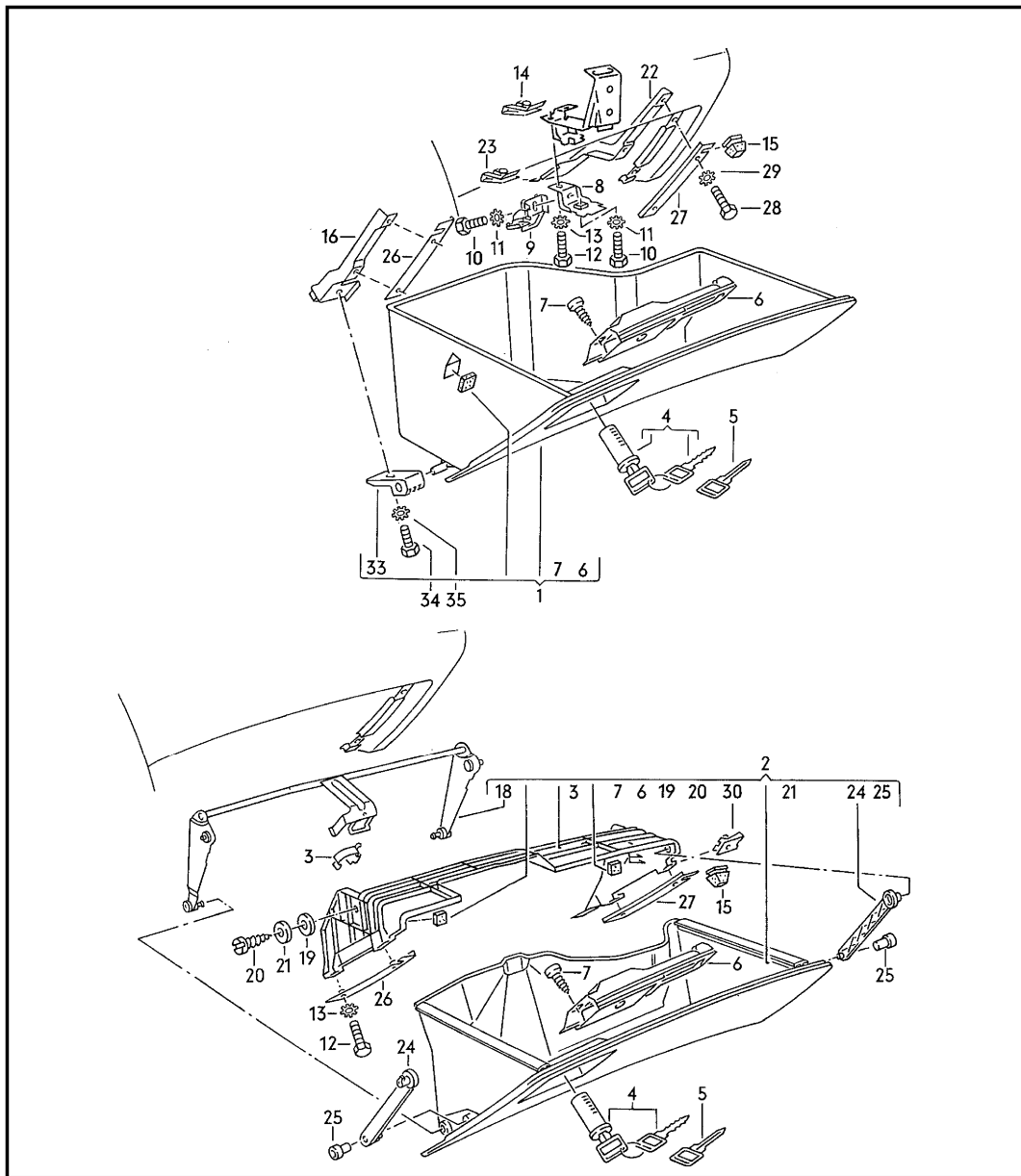




Model	Year	MG	SG	Illustration	Restrictions	UPD	20:31	25.09.2013		ETKA
ACOQ	1989	8	57	857-20		622				



Pos	Part Number	Description	Remark	Qty	Model
		glove box			
(1)	893 857 035 L	glove box	lhd	1	
	08/89-01/903XB	sepia (olive)	-LF		
(1)	8A1 857 035 F	glove box	lhd	1	
		use if required:	4A0 857 113 B	1	
	11/88-04/957DN	platinum	-TZ,XQ		
	08/91-04/959XB	anthracite	-TA,TD,TJ,TP, TW,TX,ZS,ZU		
(1)	894 857 035 L	glove box	rhd	1	
	11/88-07/897DN	platinum	replacement:		
			-XQ 8A2 857 035 C (7DN)	1	
	08/91-03/929XB	anthracite	replacement:		
			-TA,TD,TJ,TP, TW,TX 8A2 857 035 C (9XB)	1	
(1)	8A2 857 035 C	glove box	rhd	1	
		use if required:	4A0 857 113 B	1	
	11/88-04/957DN	platinum	-TZ,XQ		
	08/91-04/959XB	anthracite	-TA,TD,TJ,TP, TW,TX,ZS,ZU		
2	8A1 857 035 C	glove box for vehicles with air condit.	lhd	1	
	11/88-07/945KR	nautic	-XN		
(2)	8A1 857 035 G	glove box for vehicles with air condit.	lhd	1	
		use if required:	4A0 857 113 B	1	
	11/88-04/957DN	platinum	-TZ,XQ		
	08/91-04/959XB	anthracite	-TA,TD,TJ,TP, TW,TX,ZS,ZU		
(2)	894 857 035 H	glove box for vehicles with air condit.	rhd	1	
	11/88-07/917FR	graphite	-XU,XV,XJ,XK, XR,XL		
(2)	8A2 857 035 D	glove box for vehicles with air condit.	rhd	1	
		use if required:	4A0 857 113 B	1	

Model	Year	MG	SG	Illustration	Restrictions	UPD	20:31	25.09.2013		ETKA
ACOQ	1989	8	57	857-20		622				

Pos	Part Number	Description	Remark	Qty	Model	Pos	Part Number	Description	Remark	Qty	Model
	07/92-04/957DN	platinum	-TZ			7	+ N 013 957 5	oval head panel screw	B3,5X9,5	2	
	08/91-04/959XB	anthracite	-TA,TD,TJ,TP, TW, TX,ZS,ZU			8	893 857 133 J	retaining bracket		1	
(2)		glove box for vehicles with airbag and knee bar (passenger side) see illustration:	880-10			9	893 857 133 K	sealing bearing	lhd	1	
3	893 857 117	clips		1		(9)	894 857 133 C	sealing bearing	rhd	1	
4	893 857 113	lock cylinder for glove box lid F >> 8B-P-015 000		1		10	N 010 280 2	hexagonal head bolt	M5X15SZ	2	
(4)	4A0 857 113 B	lock cylinder F 8B-R-000 001>> see illustration:	837-00	1		11	N 012 130 1	shake-proof washer	A5,3	2	
5						12	N 010 280 2	hexagonal head bolt	M5X15SZ	1	
6	893 857 131 G	catch	lockable	1		13	N 012 130 1	shake-proof washer	A5,3	1	
			lhd			14	+ N 903 562 03	snap nut	M5X17X17	1	
	11/88-07/915KR	nautic	-XN			15	893 857 139 B	stop buffer		2	
	11/88-07/917DN	platinum	-XQ replacement: 8A1 857 131 B (7DN)	1		16	893 857 147	retaining bracket	lhd	1	
(6)	8A1 857 131 B	catch	lockable	1		(16)	894 857 147	retaining bracket	rhd	1	
		use if required:	4A0 857 113 B	1		18	8A1 858 047	toggle lever for vehicles with air condit. only for:	rear	lhd	1
	08/93-04/957DN	platinum	-TZ,XQ						893 857 035 J 8A1 857 035 A 8A1 857 035 C 8A1 857 035 G		
	08/93-04/959XB	anthracite	-TD,TJ,TP,TW, TX,ZS,ZU,TA			(18)	894 857 147 B	toggle lever for vehicles with air condit. only for:	rear	rhd	1
(6)	8A2 857 131 A	catch	lockable	1					894 857 035 E 894 857 035 G		
		use if required:	4A0 857 113 B	1					rear	rhd	1
	11/88-04/957DN	platinum	-TZ,XQ						894 857 035 H 8A2 857 035 A 8A2 857 035 D		
	08/91-04/959XB	anthracite	-TA,TD,TJ,TP, TW,TX,ZS,ZU			19		not replacement part			
-	4A0 857 113 B	lock cylinder		1		20		not replacement part			
(6)		catch glove box for models with airbag (driver and passenger side) see illustration:	880-10, 857-22			21		not replacement part			
						22	893 857 148	retaining bracket	lhd	1	
						(22)	894 857 148	retaining bracket	rhd	1	
						23	+ N 903 562 03	snap nut	M5X17X17	2	
						24	8A0 857 159	toggle lever for vehicles with air condit.	front	2	

Model	Year	MG	SG	Illustration	Restrictions	UPD	20:31	25.09.2013		ETKA
ACOQ	1989	8	57	857-20		622				

Pos	Part Number	Description	Remark	Qty	Model	Pos	Part Number	Description	Remark	Qty	Model
	11/88-04/9501C	satin black									
25	893 857 179	cotter pin for vehicles with air condit.		4							
	11/88-04/9501C	black									
26	893 857 171	strip	left	lhd	1						
	11/88-04/9501C	satin black									
(26)	894 857 171	strip	left	rhd	1						
	11/88-04/9501C	satin black									
27	893 857 172	strip	right	lhd	1						
	11/88-04/9501C	satin black									
(27)	894 857 172	strip	right	rhd	1						
	11/88-04/9501C	satin black									
28	N 010 280 2	hexagonal head bolt	M5X15SZ	4							
29	N 012 130 1	shake-proof washer	A5,3	4							
30	+ N 903 562 03	snap nut for vehicles with air condit.	M5X17X17	4							
(33)	893 857 193 B	bearing bracket	only for: 8MM 893 857 035 G 894 857 035 K	2							
	11/88-03/9201C	satin black									
33	893 857 193 A	bearing bracket	only for: 12MM 893 857 035 L 894 857 035 L 8A1 857 035 B 8A1 857 035 F 8A2 857 035 8A2 857 035 C	2							
	12/89-04/9501C	satin black									
34	N 010 280 2	hexagonal head bolt	M5X15SZ	2							
35	N 012 130 1	shake-proof washer	A5,3	2							